

5

4

3

2

1

D

D

C

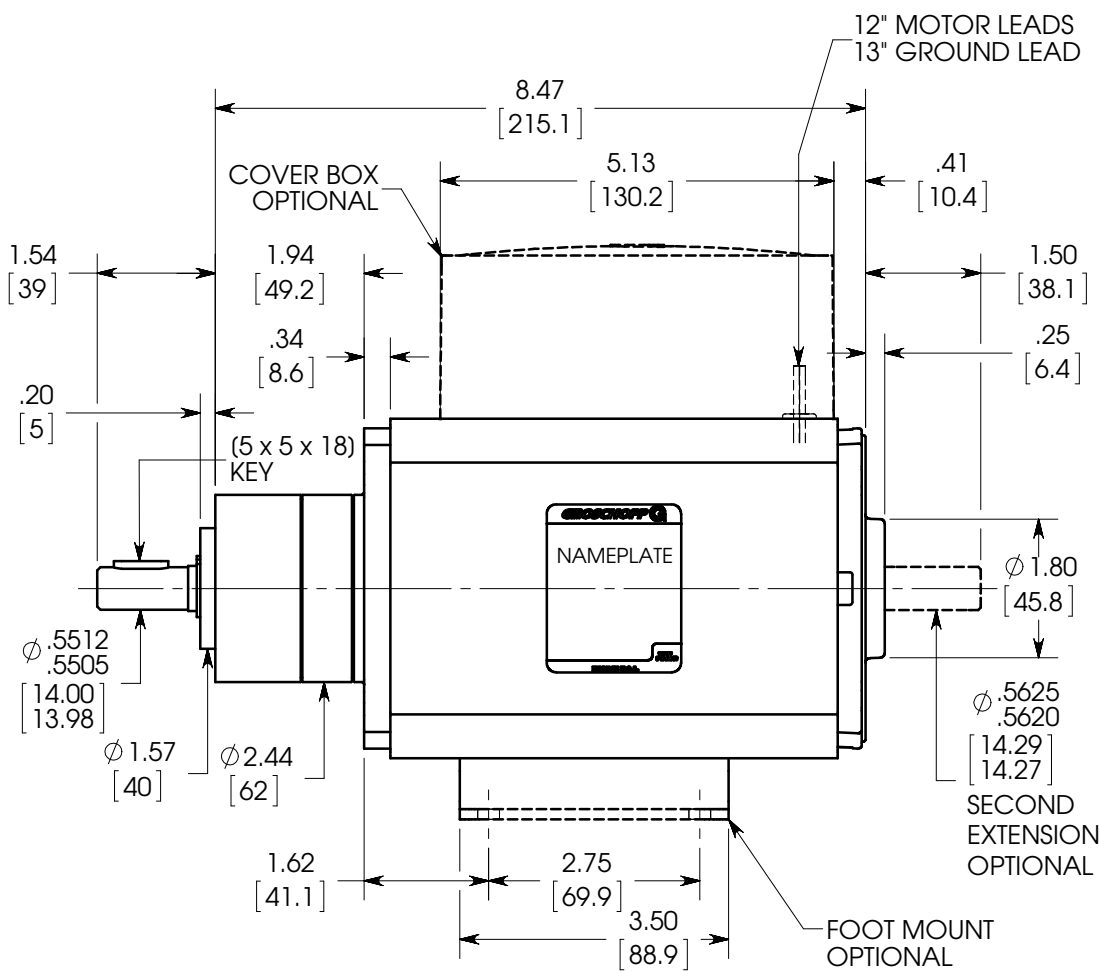
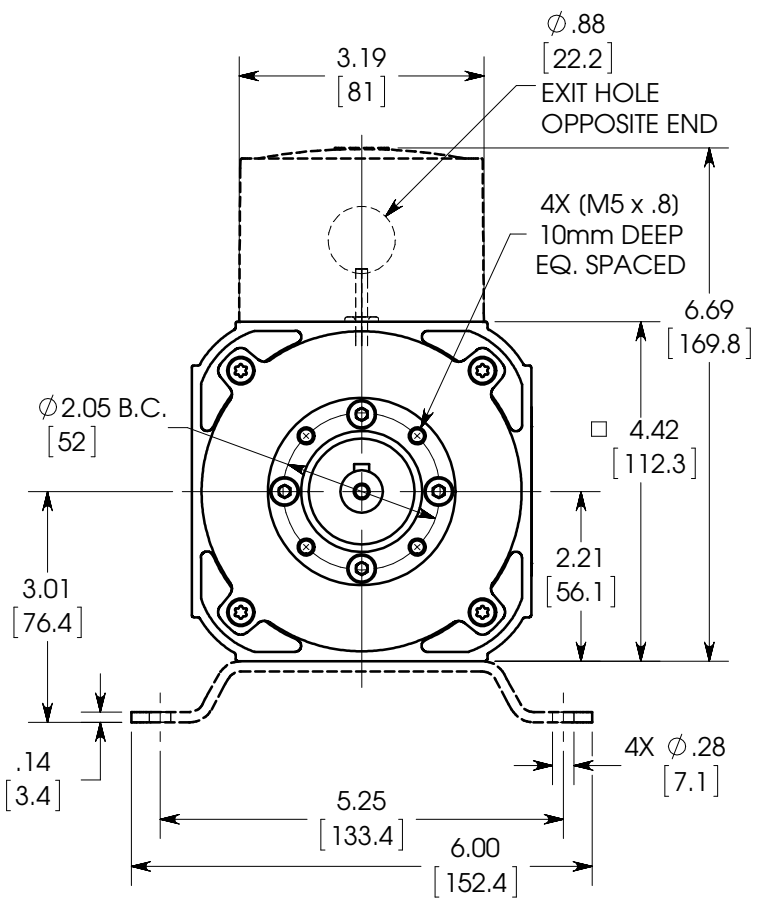
C

B

B

A


A



NOTES:

- 1. ALL DIMENSIONS ARE NOMINAL.
- 2. (mm) = MILLIMETERS.

REVISION	1
CHECKED	JO
DATE	12-11-13
MODEL	AC10060NV-PL62I

**GROSCHOPP** 

ELECTRIC MOTORS • REDUCERS • GEAR MOTORS • MOTOR SETS

TITLE: AC10060NV-PL62\_i  
5:1 RATIO  
CATALOG STANDARD

SCALE: 2:5 DO NOT SCALE DRAWING SHEET 1 OF 1

