

5

4

3

2

1

D

D

C

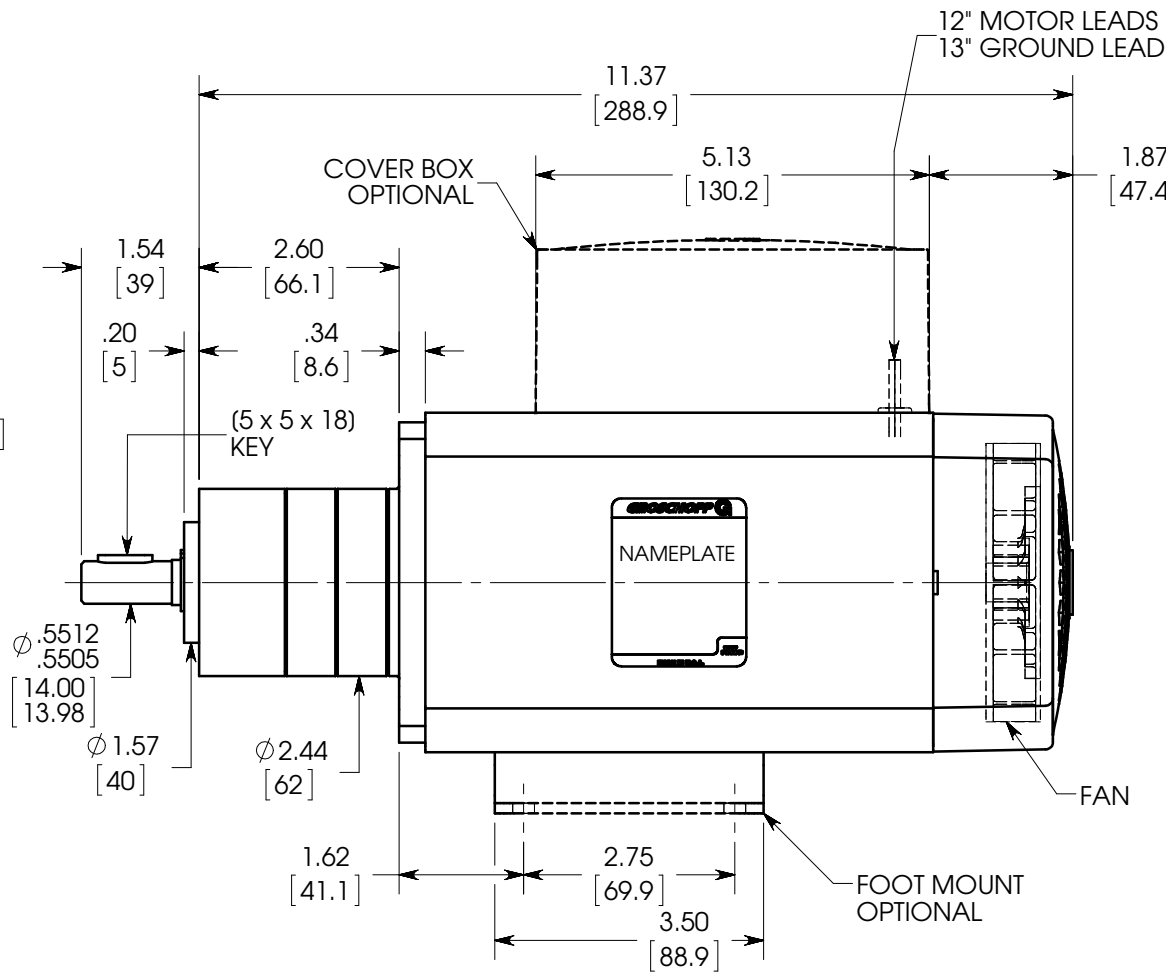
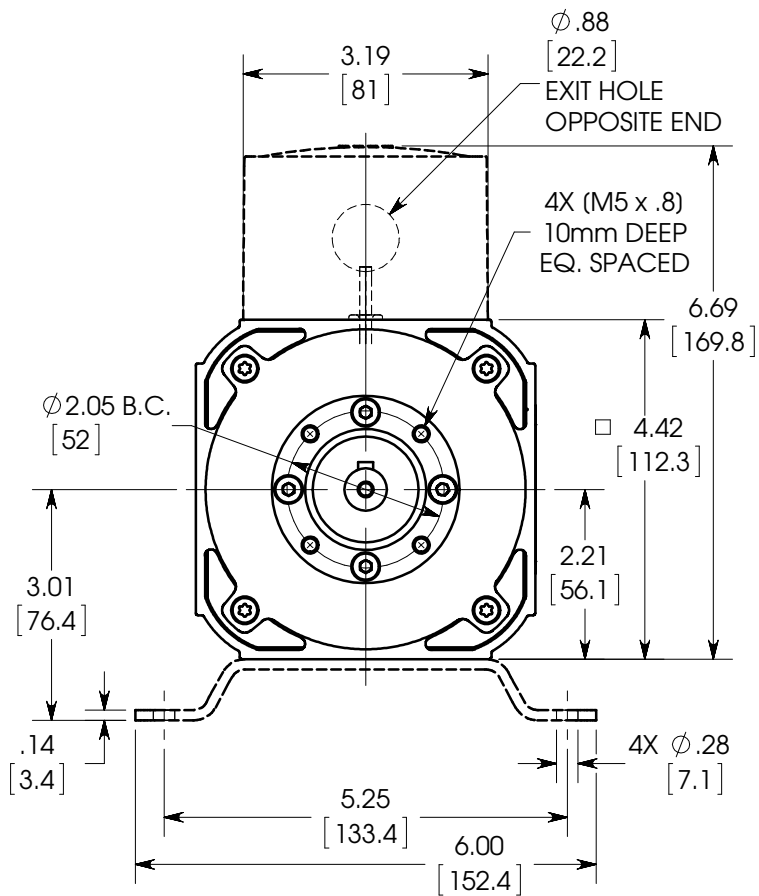
C

B

B

A

A



NOTES:

- 1. ALL DIMENSIONS ARE NOMINAL.
- 2. (mm) = MILLIMETERS.

REVISION	1
CHECKED	JO
DATE	12-11-13
MODEL	AC10080FC-PL62I



TITLE: AC10080FC-PL62_i
 16:1 - 46:1 RATIO
 CATALOG STANDARD



THIRD ANGLE

SCALE: 2:5 DO NOT SCALE DRAWING SHEET 1 OF 1