

5

4

3

2

1

D

D

C

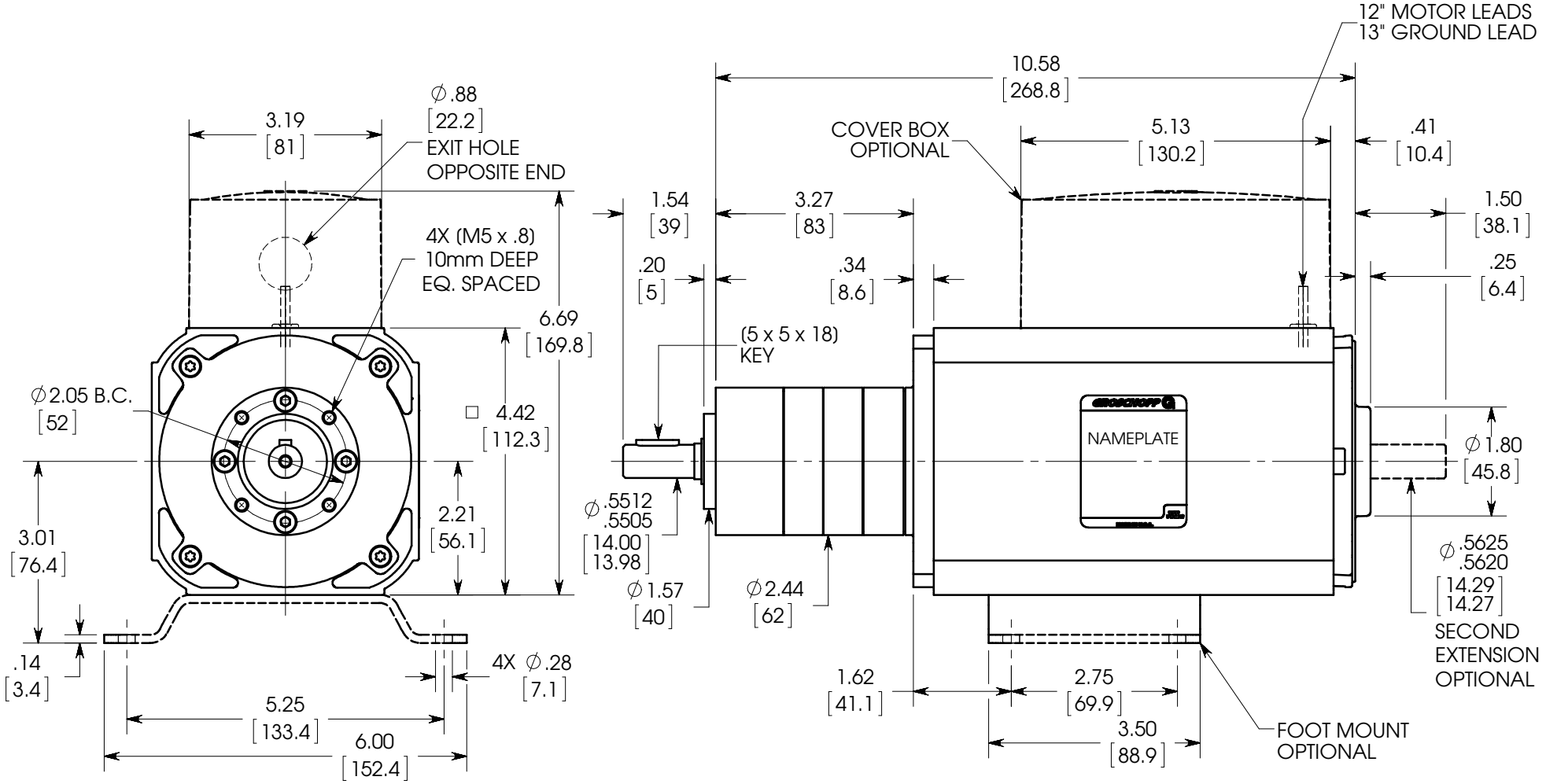
C

B

B

A

A



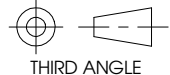
NOTES:

1. ALL DIMENSIONS ARE NOMINAL.
2. (mm) = MILLIMETERS.

REVISION	1
CHECKED	JO
DATE	12-11-13
MODEL	AC10080NV-PL62I



TITLE: AC10080NV-PL62_i
 59:1 - 308:1 RATIO
 CATALOG STANDARD



5

4

3

2

1