

5

4

3

2

1

D

D

C

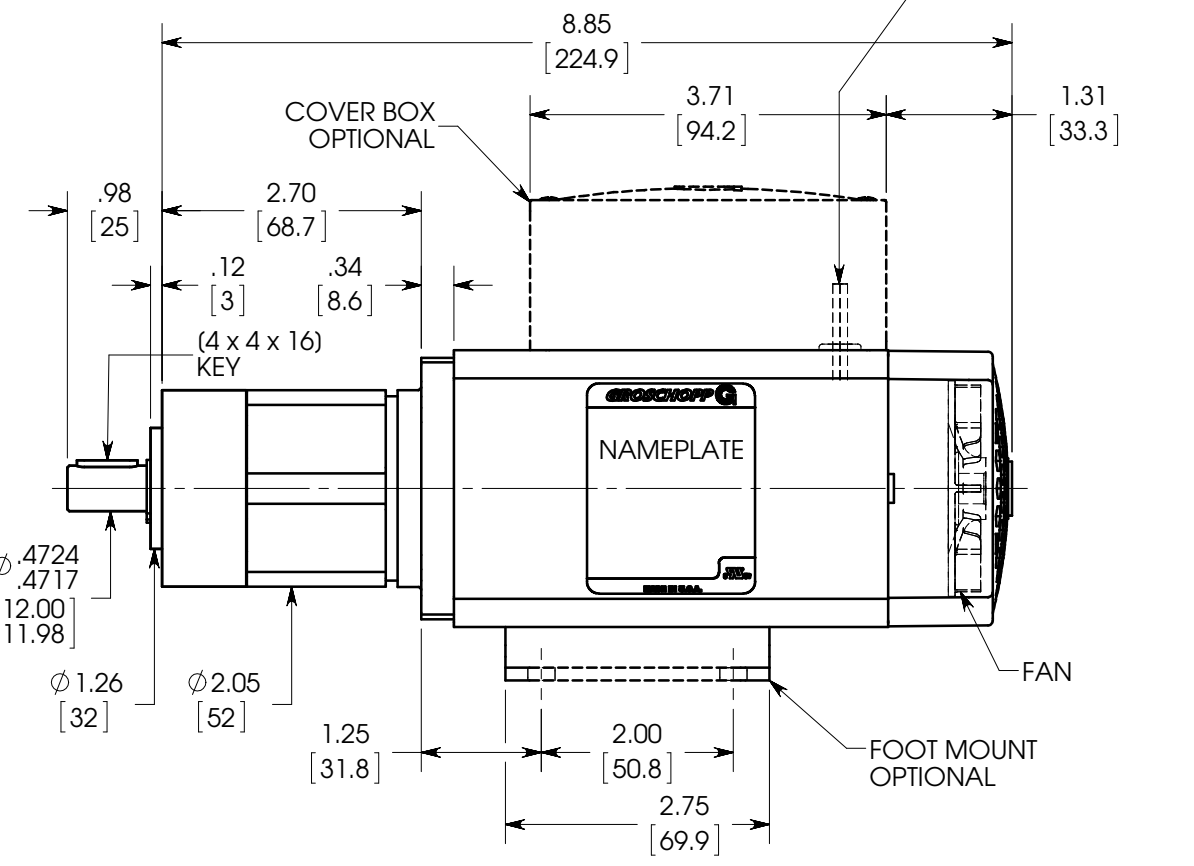
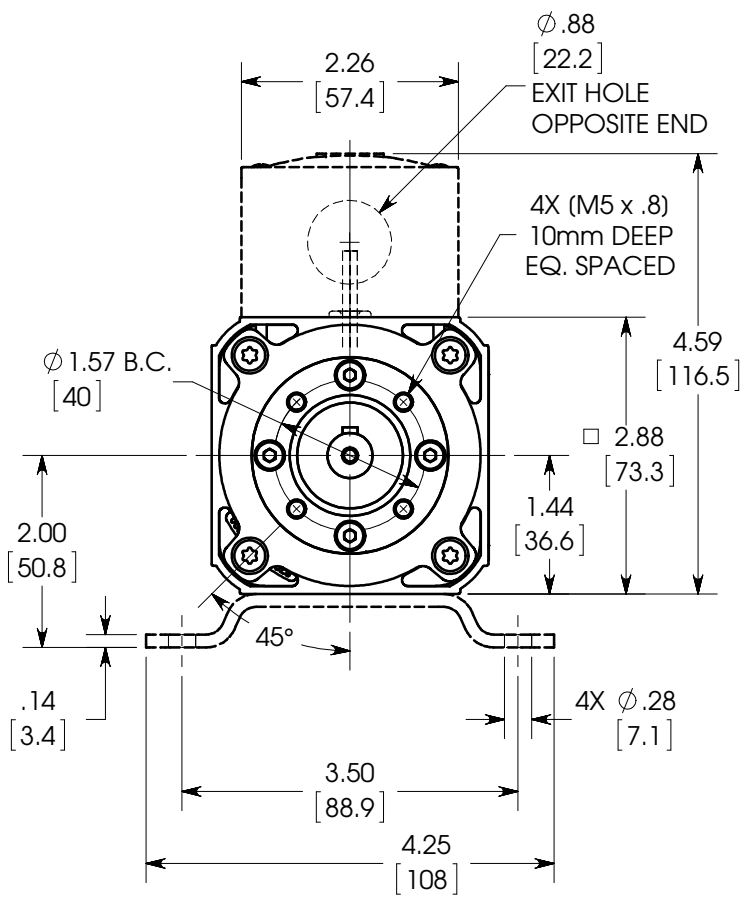
C

B

B

A


A



NOTES:

1. ALL DIMENSIONS ARE NOMINAL.
2. (mm) = MILLIMETERS.

REVISION	1
CHECKED	JO
DATE	12-10-13
MODEL	AC6540FC-PL52iP

GROSCHOPP 

ELECTRIC MOTORS • REDUCERS • GEAR MOTORS • MOTOR SETS

TITLE: AC6540FC-PL52_iP
16:1 - 46:1 RATIO
CATALOG STANDARD

SCALE: 1:2 DO NOT SCALE DRAWING SHEET 1 OF 1

