

5

4

3

2

1

D

D

C

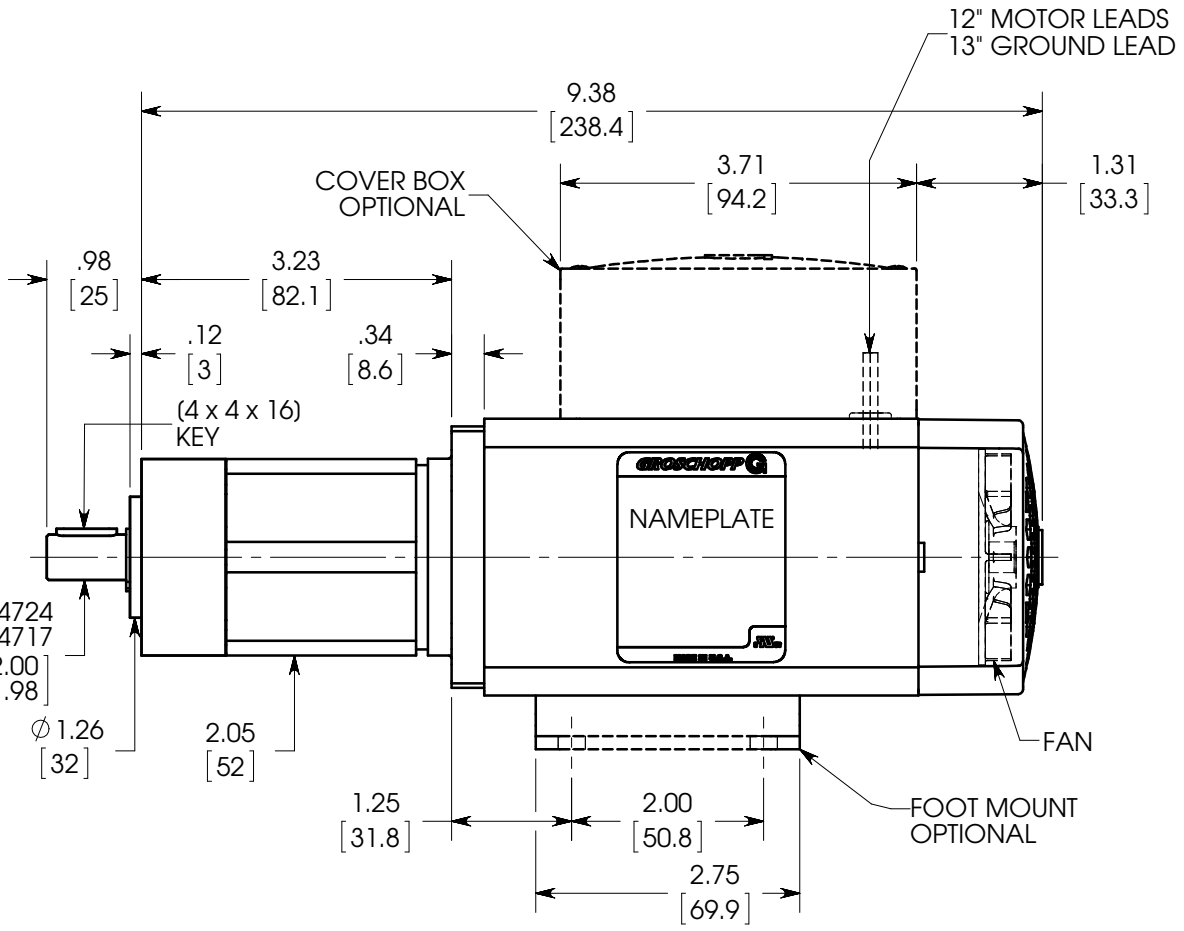
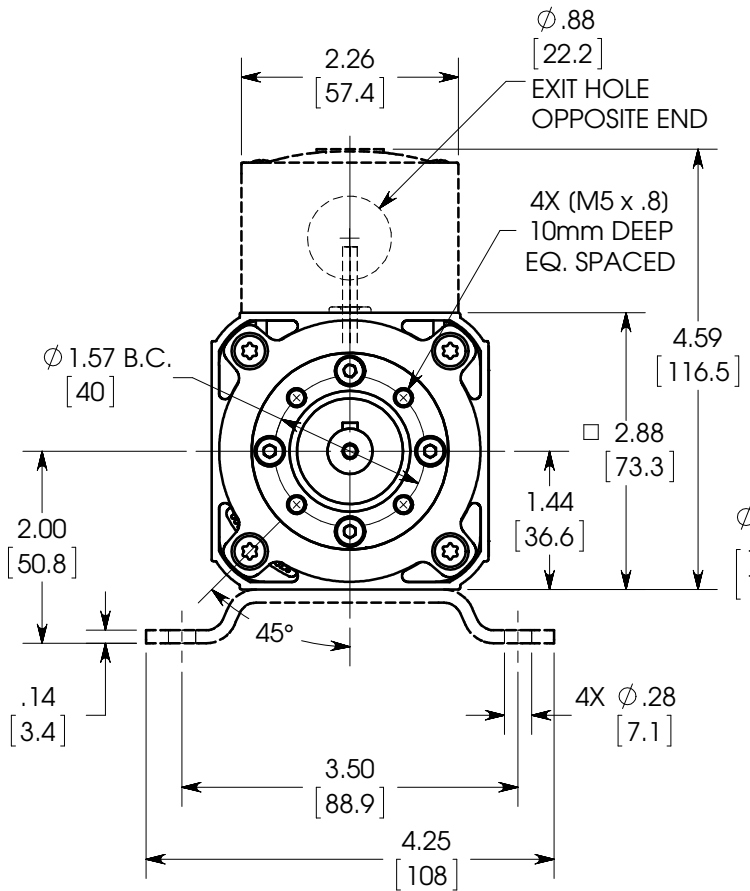
C

B

B

A

A



NOTES:

1. ALL DIMENSIONS ARE NOMINAL.
2. (mm) = MILLIMETERS.

REVISION	1
CHECKED	JO
DATE	12-10-13
MODEL	AC6540FC-PL52IP



TITLE: AC6540FC-PL52_iP
59:1 - 93:1 RATIO
CATALOG STANDARD



SCALE: 1:2 DO NOT SCALE DRAWING SHEET 1 OF 1