

5

4

3

2

1

D

D

C

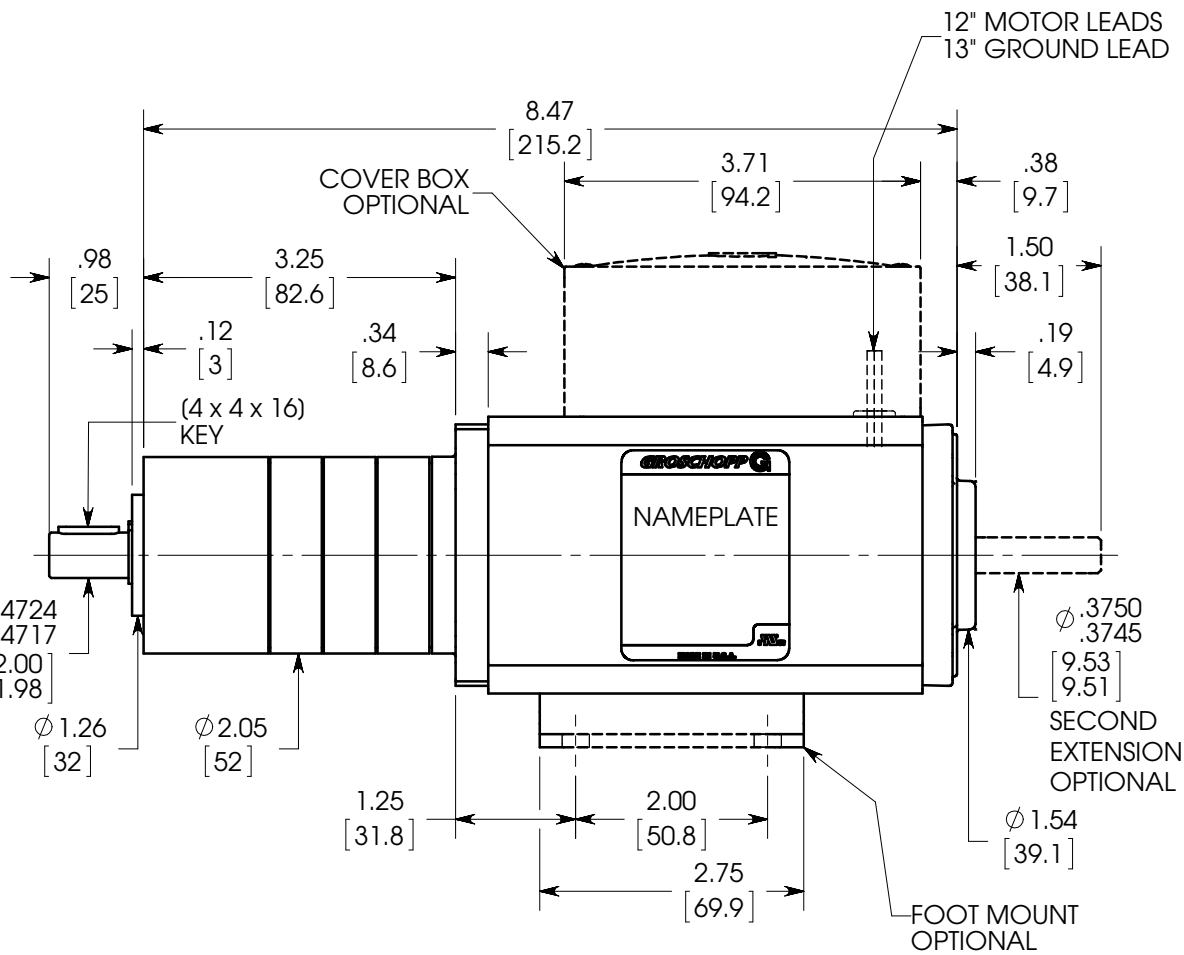
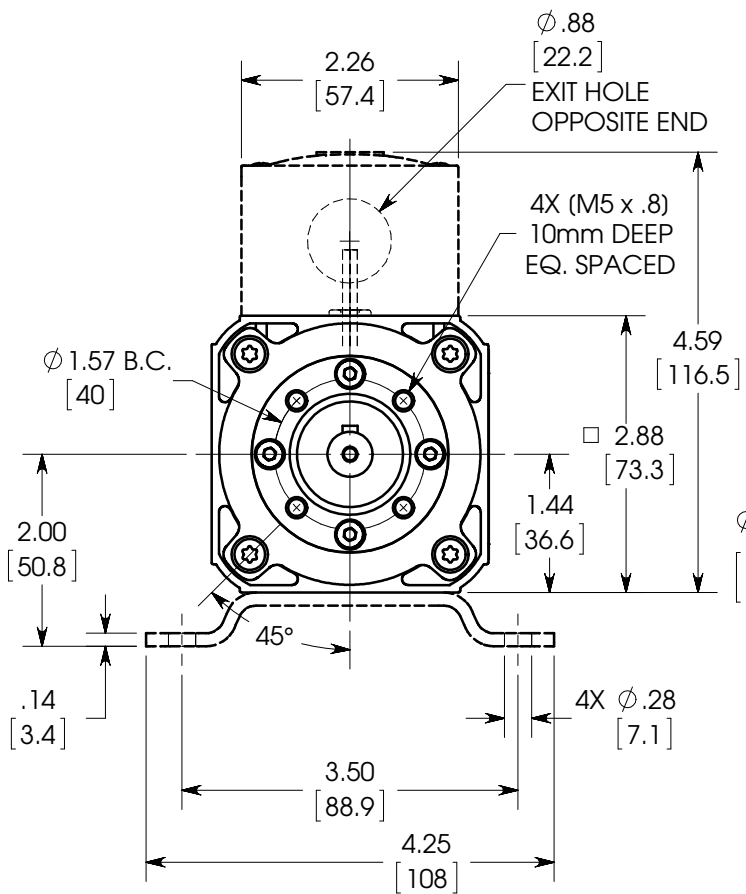
C

B

B

A

A



NOTES:

- 1. ALL DIMENSIONS ARE NOMINAL.
- 2. (mm) = MILLIMETERS.

REVISION	1
CHECKED	JO
DATE	12-10-13
MODEL	AC6540NV-PL52i



TITLE: AC6540NV-PL52_i
 59:1 - 308:1 RATIO
 CATALOG STANDARD

SCALE: 1:2 DO NOT SCALE DRAWING SHEET 1 OF 1

5

4

3

2

1