

5

4

3

2

1

D

D

C

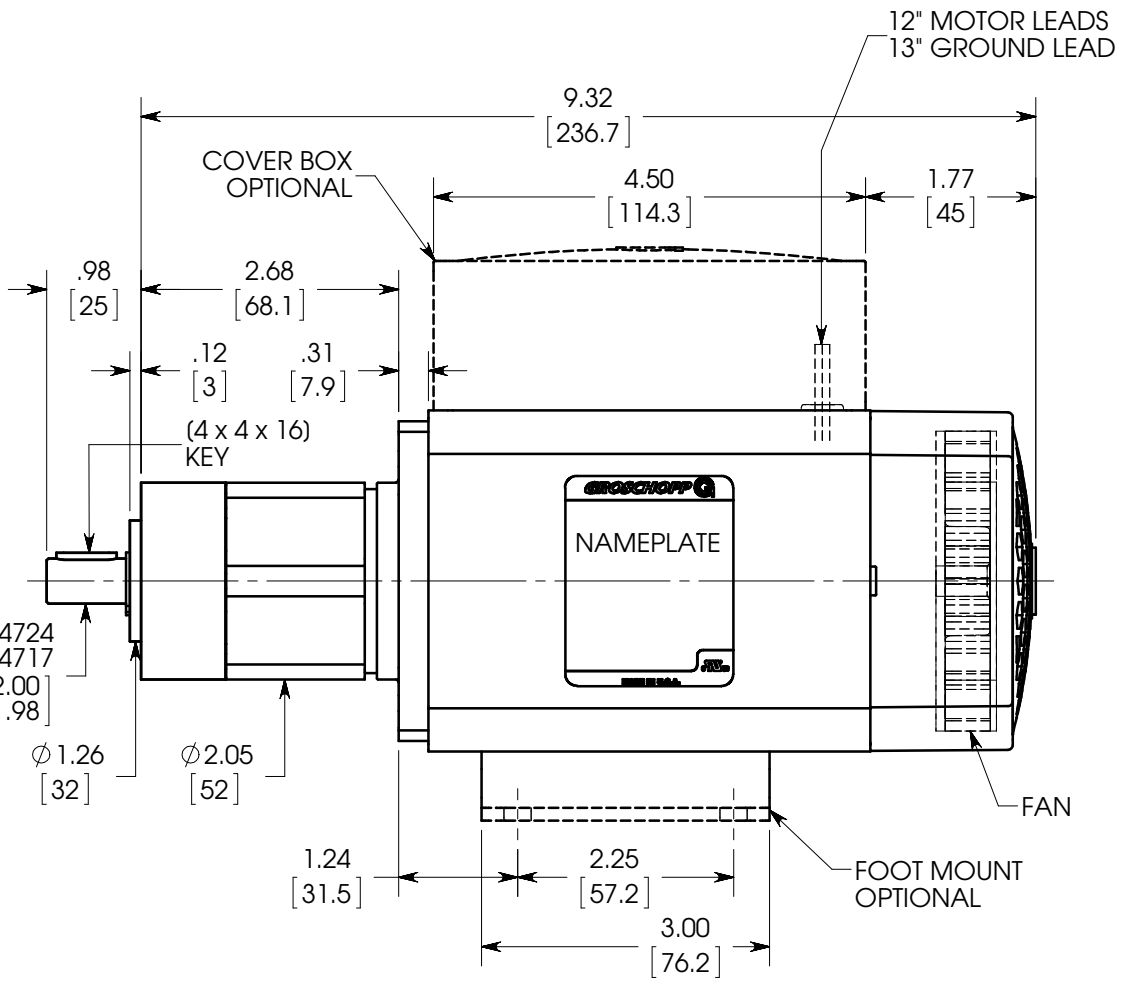
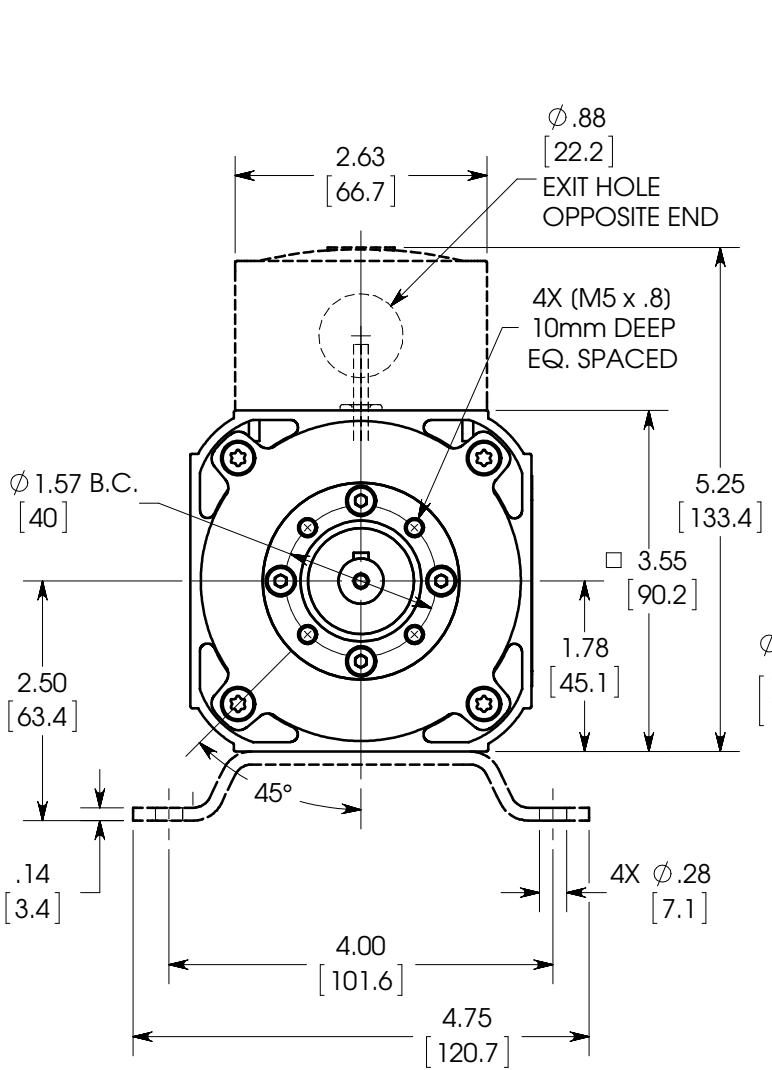
C

B

B

A


A



NOTES:

1. ALL DIMENSIONS ARE NOMINAL.
2. (mm) = MILLIMETERS.

|          |                 |
|----------|-----------------|
| REVISION | 1               |
| CHECKED  | JO              |
| DATE     | 12-11-13        |
| MODEL    | AC8040FC-PL52iP |

**GROSCHOPP** 

ELECTRIC MOTORS • REDUCERS • GEAR MOTORS • MOTOR SETS

TITLE: AC8040FC-PL52\_iP  
16:1 - 46:1 RATIO  
CATALOG STANDARD

SCALE: 1:2 DO NOT SCALE DRAWING SHEET 1 OF 1



5

4

3

2

1