

5

4

3

2

1

D

D

C

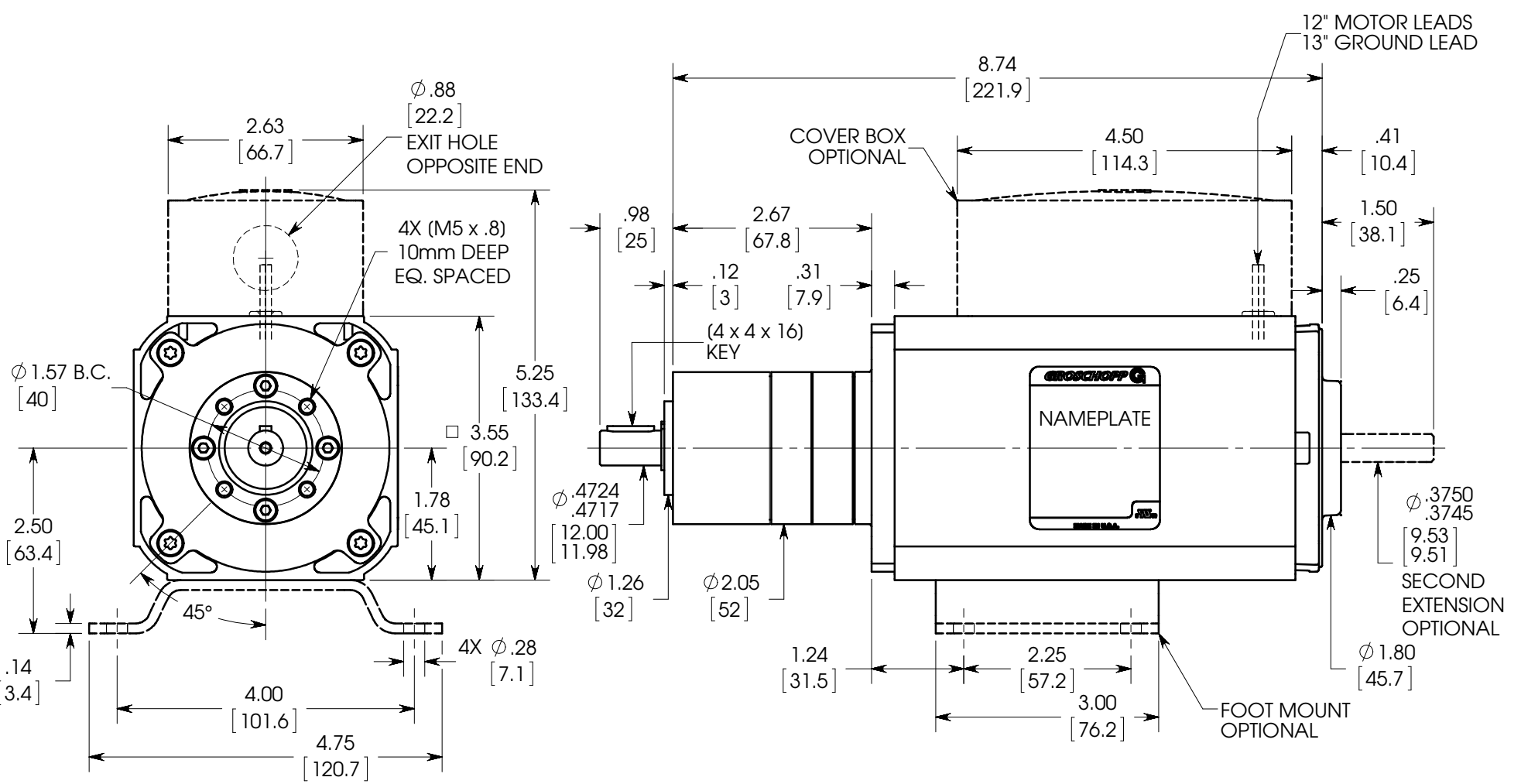
C

B

B


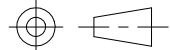
A

A



NOTES:

1. ALL DIMENSIONS ARE NOMINAL.
2. (mm) = MILLIMETERS.

REVISION	1	 ELECTRIC MOTORS • REDUCERS • GEAR MOTORS • MOTOR SETS
CHECKED	JO	
DATE	12-11-13	
MODEL	AC8060NV-PL52i	
 THIRD ANGLE		TITLE: AC8060NV-PL52_i 16:1 - 46:1 RATIO CATALOG STANDARD
SCALE: 1:2		DO NOT SCALE DRAWING
		SHEET 1 OF 1