

5

4

3

2

1

D

D

C

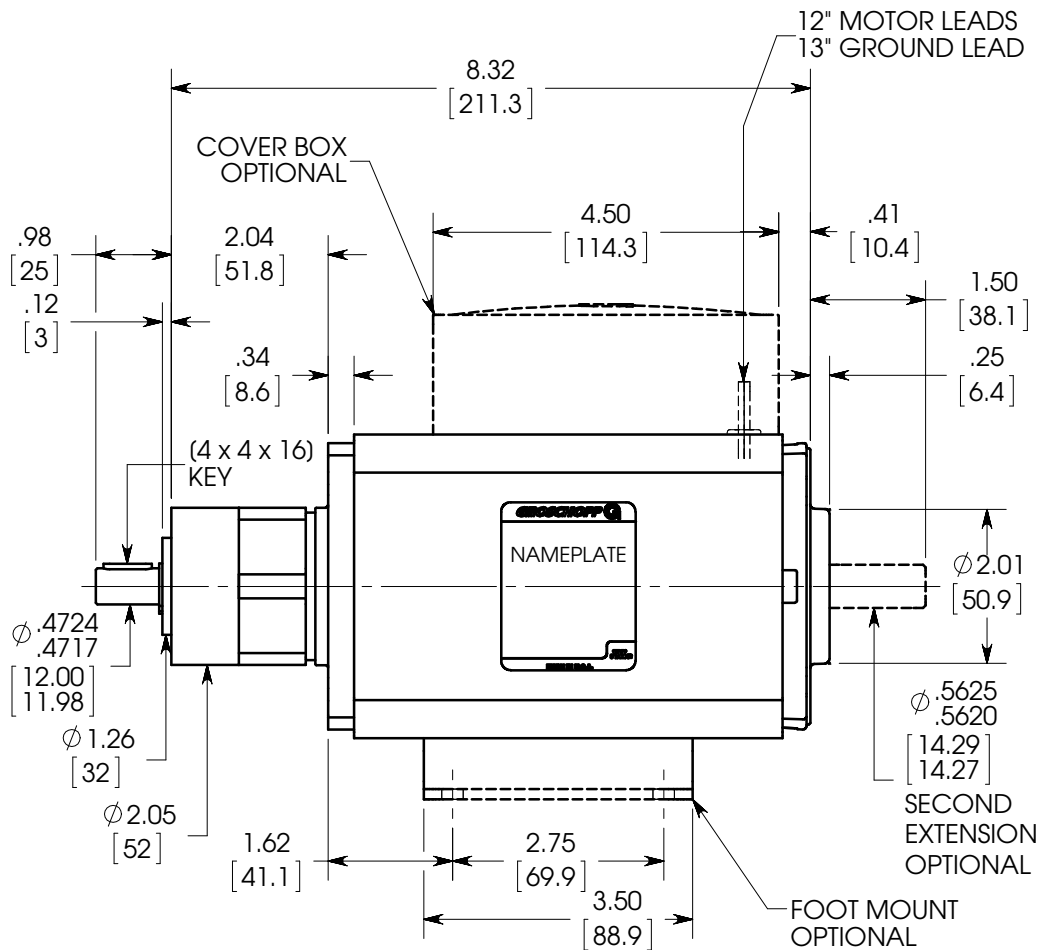
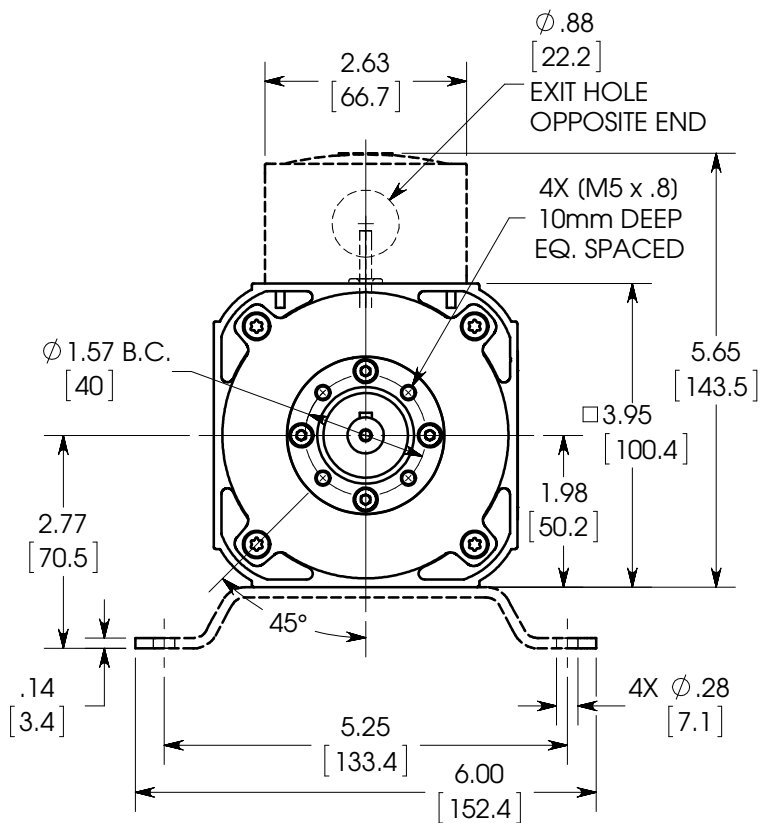
C

B

B

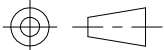
A


A



NOTES:

1. ALL DIMENSIONS ARE NOMINAL.
2. (mm) = MILLIMETERS.

REVISION	1
CHECKED	JO
DATE	12-11-13
MODEL	AC9060NV-PL52IP
 THIRD ANGLE	


GROSCHOPP
 ELECTRIC MOTORS • REDUCERS • GEAR MOTORS • MOTOR SETS

TITLE: AC9060NV-PL52_ _iP
 5:1 RATIO
 CATALOG STANDARD

SCALE: 2:5 DO NOT SCALE DRAWING SHEET 1 OF 1