

5

4

3

2

1

D

D

C

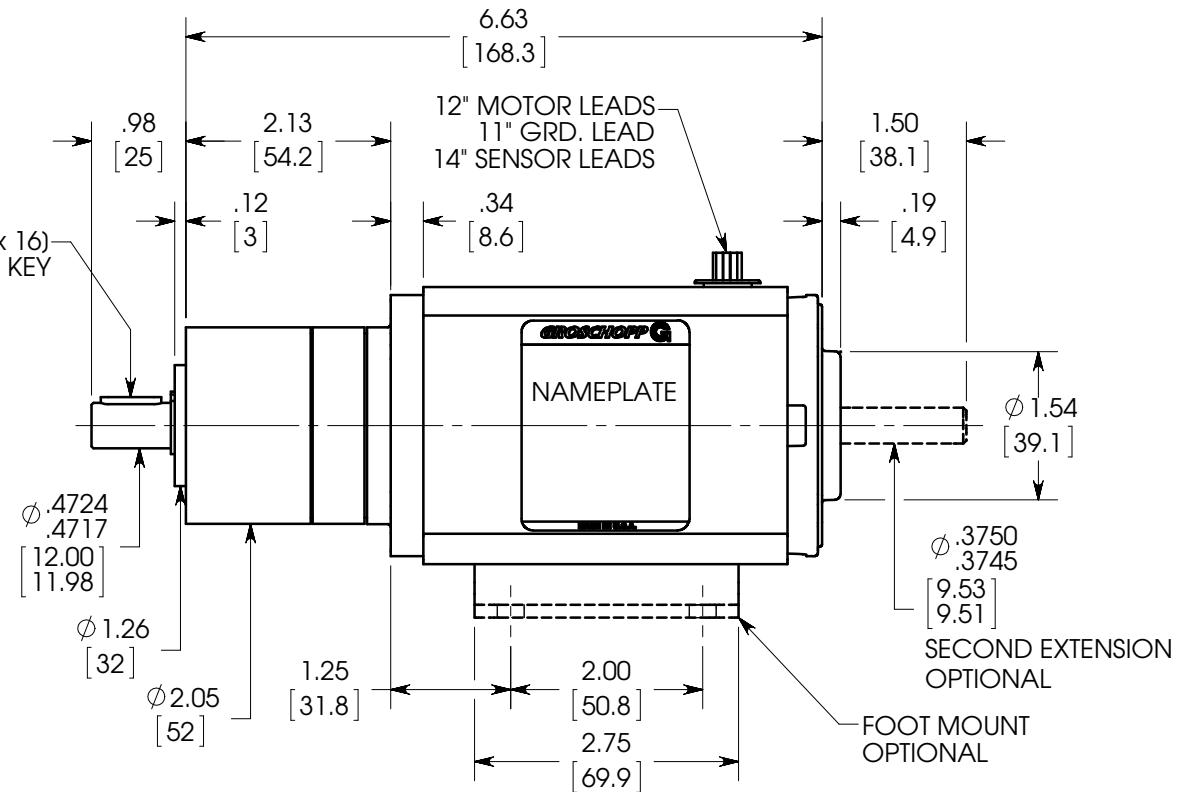
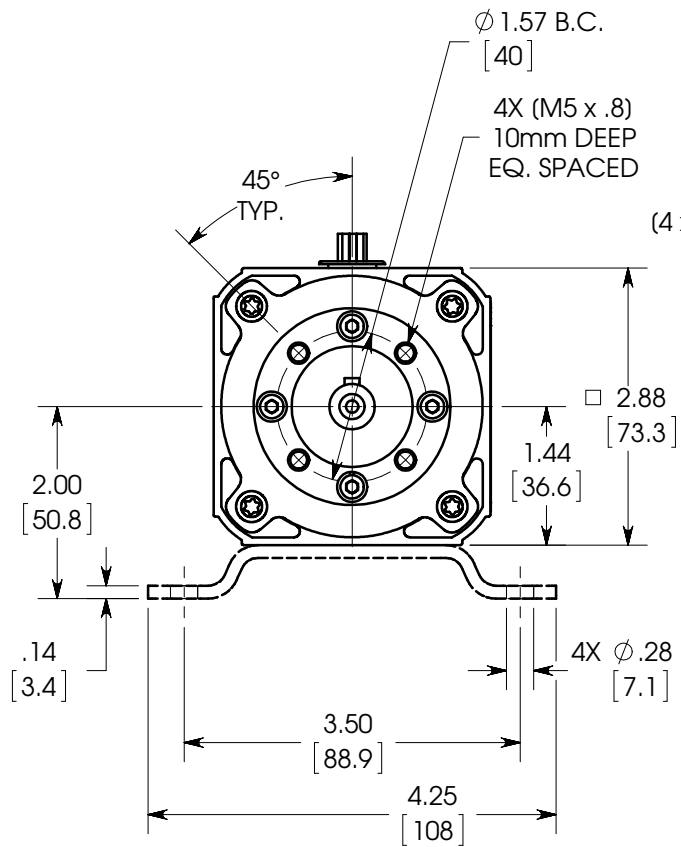
C

B

B

A

A




NOTES:

1. ALL DIMENSIONS ARE NOMINAL.
2. (mm) = MILLIMETERS.

REVISION	1
CHECKED	BW
DATE	3-1-13
MODEL	BL6520-PL52i



GROSCHOPP 

ELECTRIC MOTORS • REDUCERS • GEAR MOTORS • MOTOR SETS

TITLE: BL6520-PL52_i
5:1 RATIO
CATALOG STANDARD

SCALE: 1:2 DO NOT SCALE DRAWING SHEET 1 OF 1