

5

4

3

2

1

D

D

C

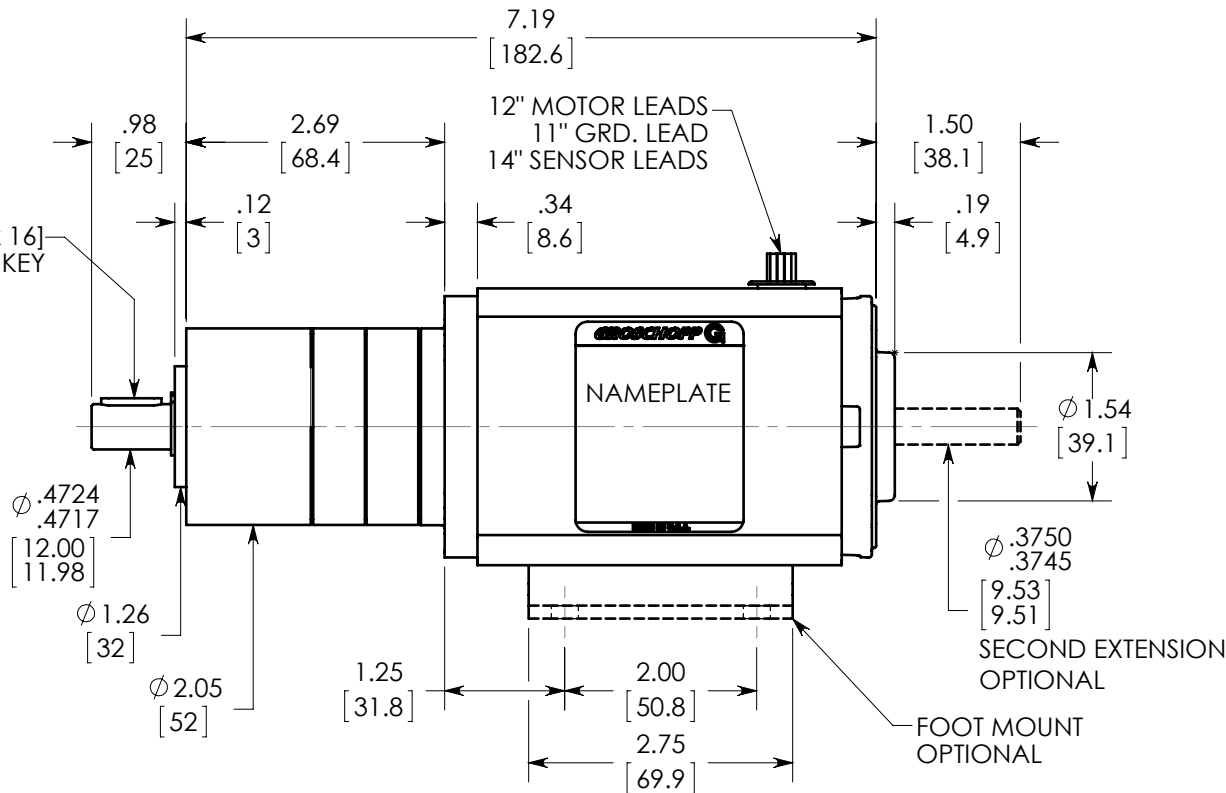
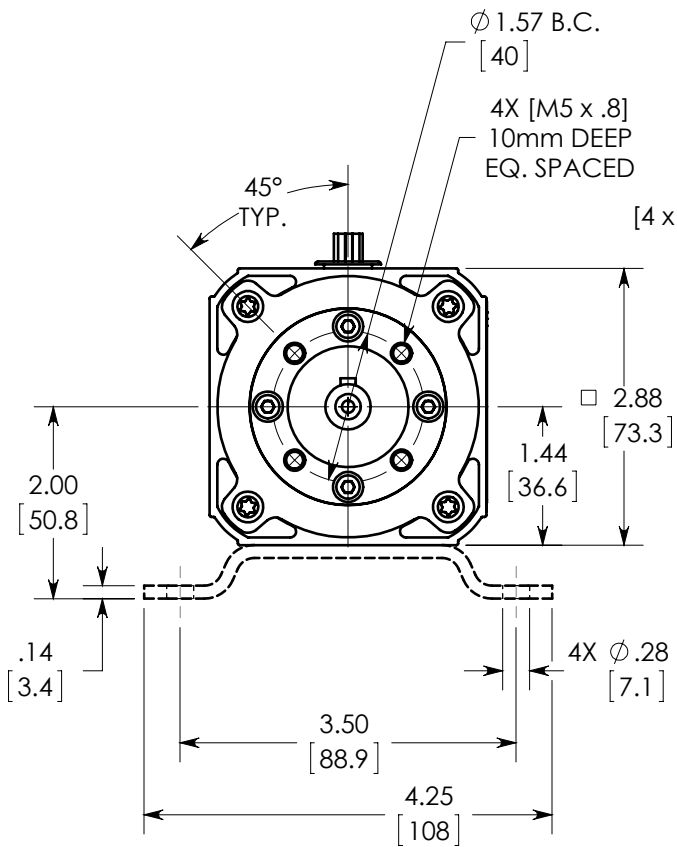
C

B

B

A

A



NOTES:

- 1. ALL DIMENSIONS ARE NOMINAL.
- 2. [mm] = MILLIMETERS.

REVISION	1
CHECKED	BW
DATE	3-1-13
MODEL	BL6520-PL52i



TITLE: BL6520-PL52_i
 16:1 - 46:1 RATIOS
 CATALOG STANDARD

