

5

4

3

2

1

D

D

C

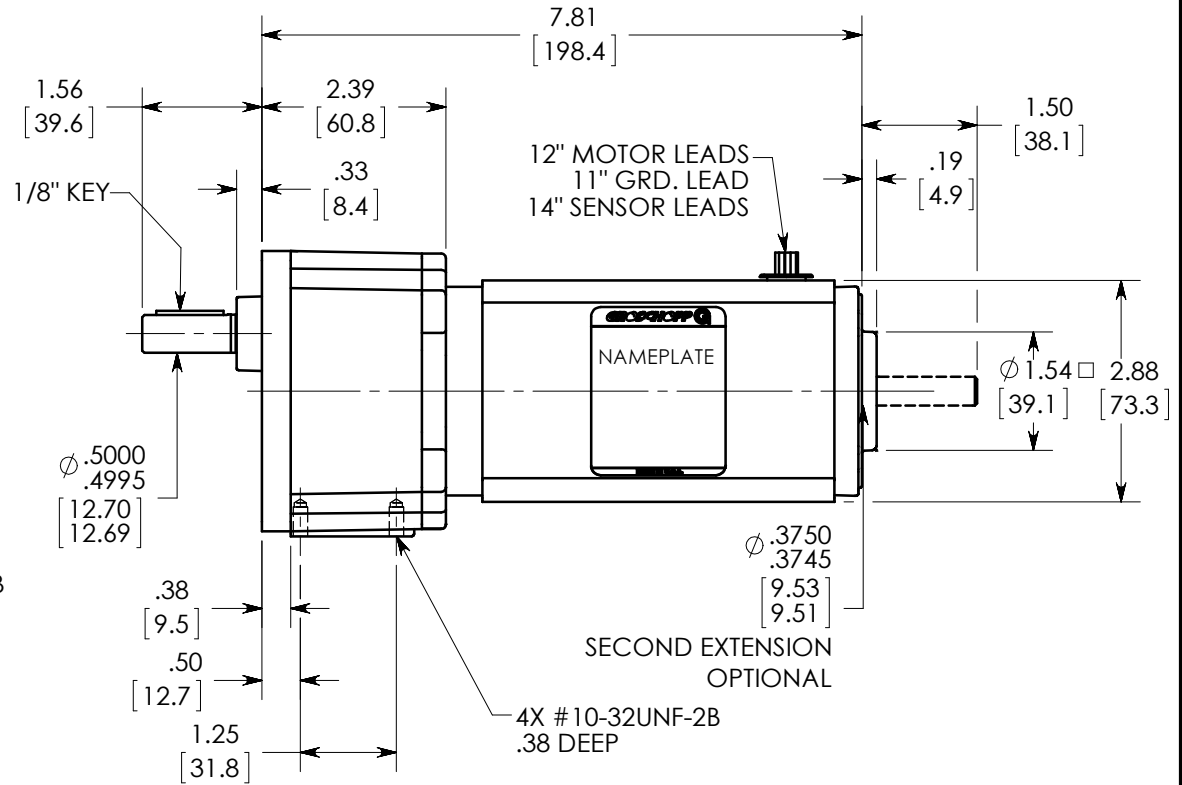
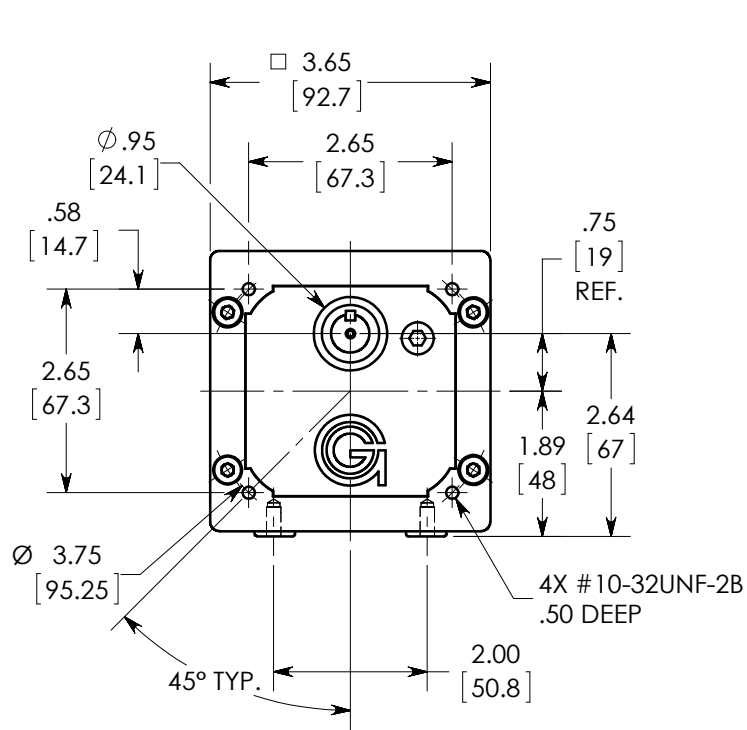
C

B

B


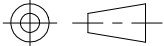
A

A



NOTES:

1. ALL DIMENSIONS ARE NOMINAL.
2. [mm] = MILLIMETERS.

REVISION	2	 <small>ELECTRIC MOTORS • REDUCERS • GEAR MOTORS • MOTOR SETS</small>
CHECKED	CJG	
DATE	4-29-16	
MODEL	BL6520-PS19_ _	
 THIRD ANGLE		TITLE: <b>BL6520-PS19_ _</b> <b>CATALOG STANDARD</b>
		SCALE: 2:5 DO NOT SCALE DRAWING SHEET 1 OF 1