

5

4

3

2

1

D

D

C

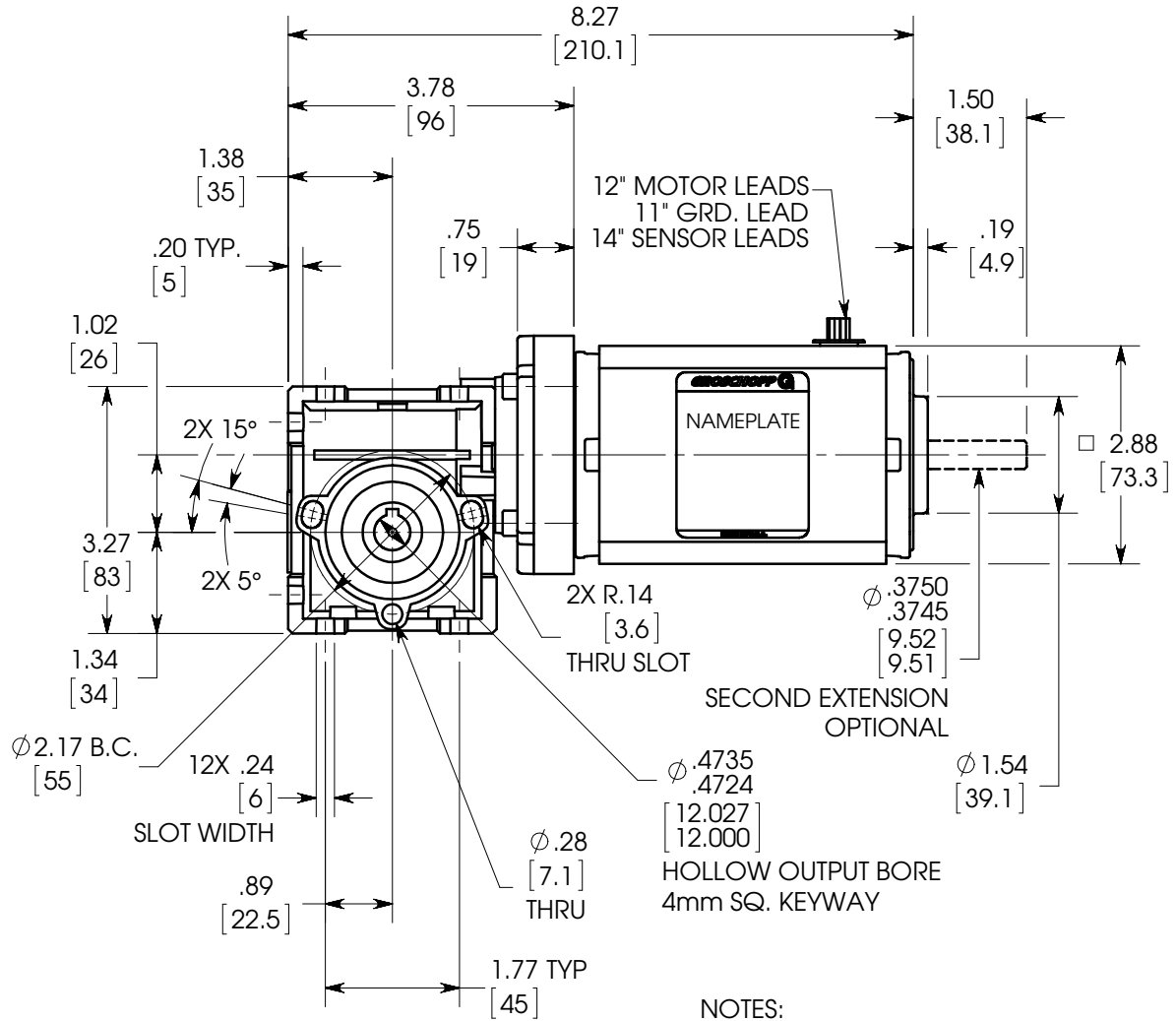
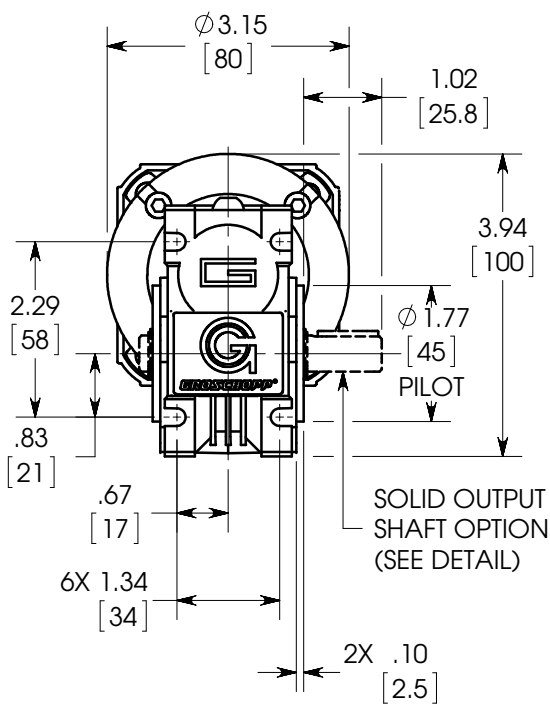
C

B

B

A

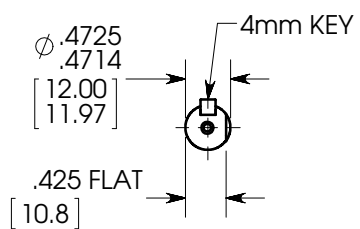
A



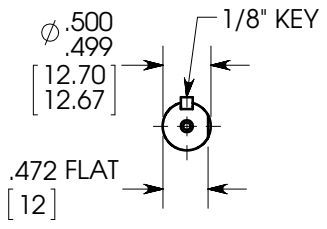
NOTES:

- 1. ALL DIMENSIONS ARE NOMINAL.
- 2. (mm) = MILLIMETERS.

**IEC
SOLID OUTPUT SHAFT OPTION
DETAIL
SCALE 1:2**



**NEMA
SOLID OUTPUT SHAFT OPTION
DETAIL
SCALE 1:2**



REVISION	1
CHECKED	BW
DATE	1-25-13
MODEL	BL6520-RA26_ _T
 THIRD ANGLE	

GROSCHOPP

ELECTRIC MOTORS • REDUCERS • GEAR MOTORS • MOTOR SETS

TITLE:
**BL6520-RA26_ _T
CATALOG STANDARD**

SCALE: 2:5 DO NOT SCALE DRAWING SHEET 1 OF 1

5

4

3

2

1