

5

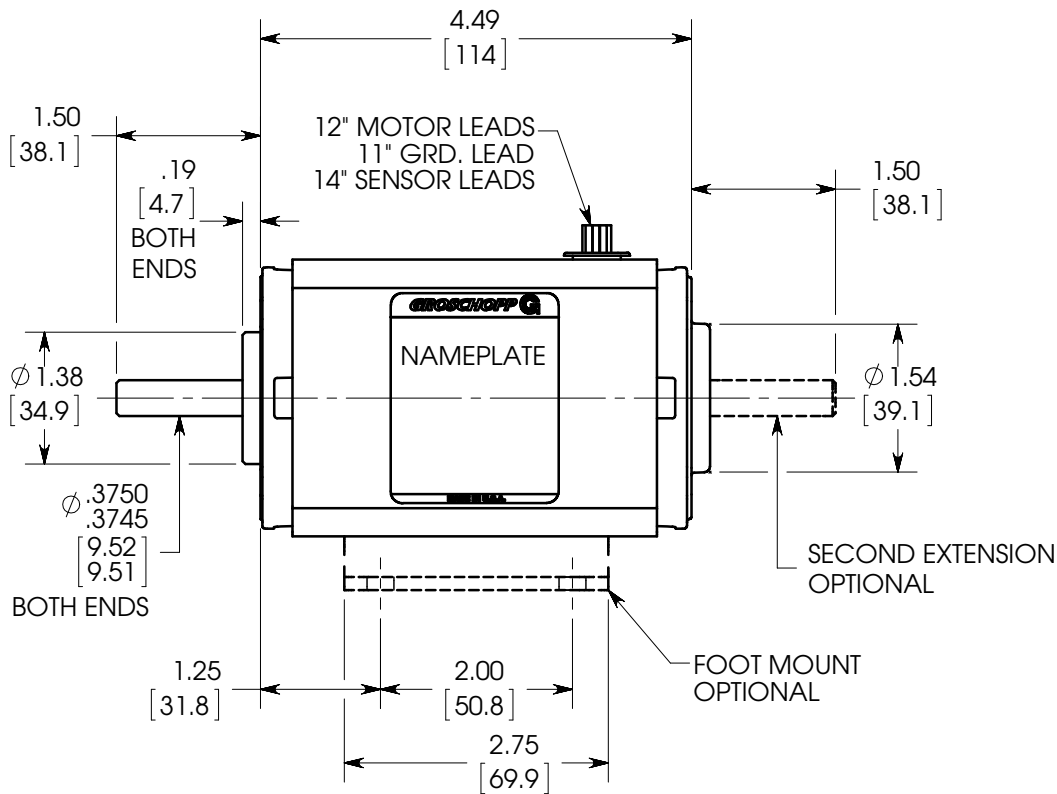
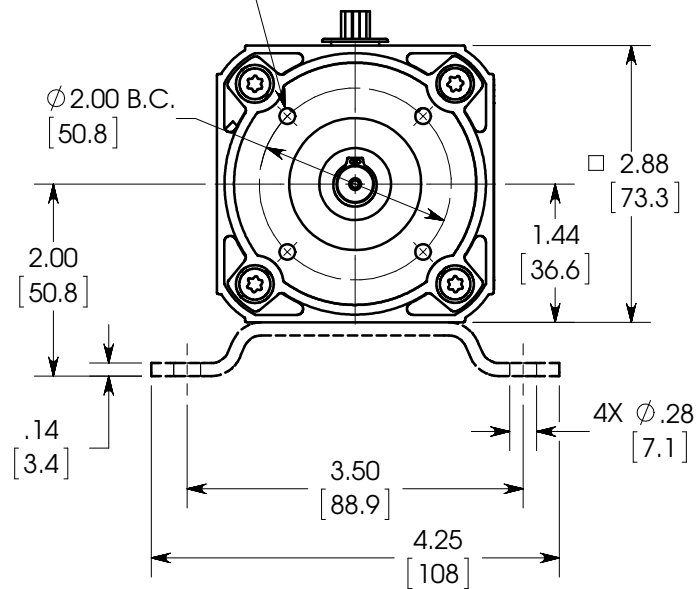
4

3

2

1


4X #8-32UNC-2B
EQUALLY SPACED
NOTE 1



NOTES:

1. BOLT DEPTH NOT TO EXCEED 7/16" FROM END BELL FACE.
2. ALL DIMENSIONS ARE NOMINAL.
3. (mm) = MILLIMETERS.

REVISION	1
CHECKED	BW
DATE	1-15-13
MODEL	BL6520

GROSCHOPP 

ELECTRIC MOTORS • REDUCERS • GEAR MOTORS • MOTOR SETS

TITLE:
BL6520
CATALOG STANDARD

SCALE: 1:2 DO NOT SCALE DRAWING SHEET 1 OF 1



5

4

3

2

1