

5

4

3

2

1

D

D

C

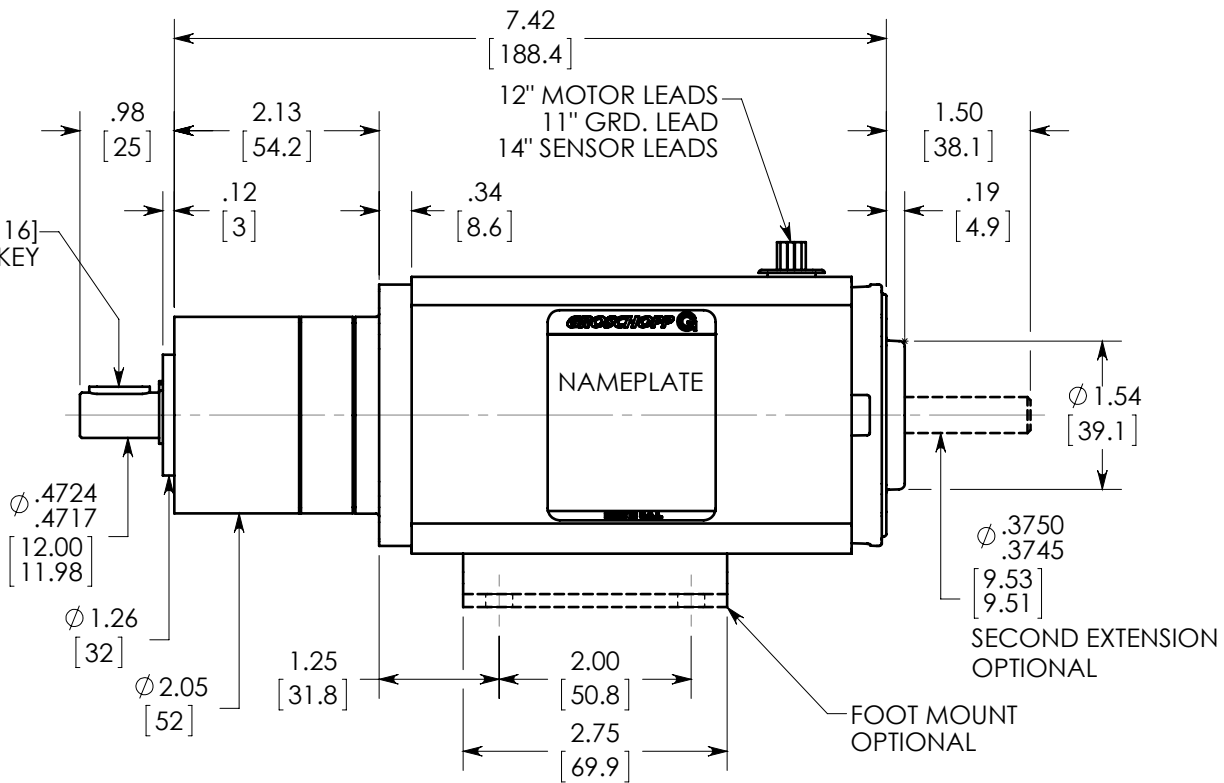
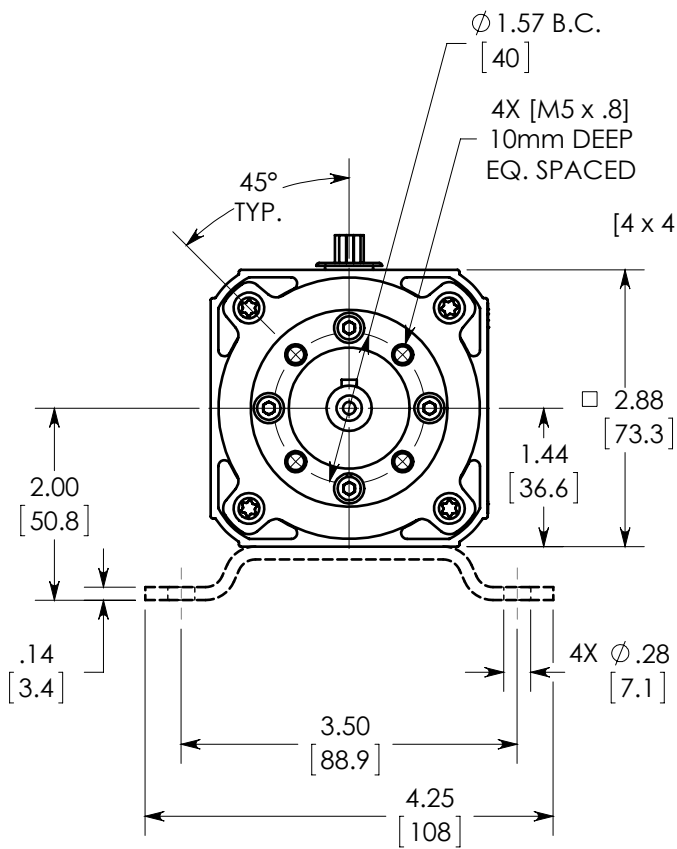
C

B

B

A

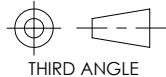
A



NOTES:

1. ALL DIMENSIONS ARE NOMINAL.
2. [mm] = MILLIMETERS.

REVISION	1
CHECKED	BW
DATE	3-1-13
MODEL	BL6540-PL52i



TITLE: BL6540-PL52_i
5:1 RATIO
CATALOG STANDARD

SCALE: 1:2 DO NOT SCALE DRAWING SHEET 1 OF 1

5

4

3

2

1