

5

4

3

2

1

D

D

C

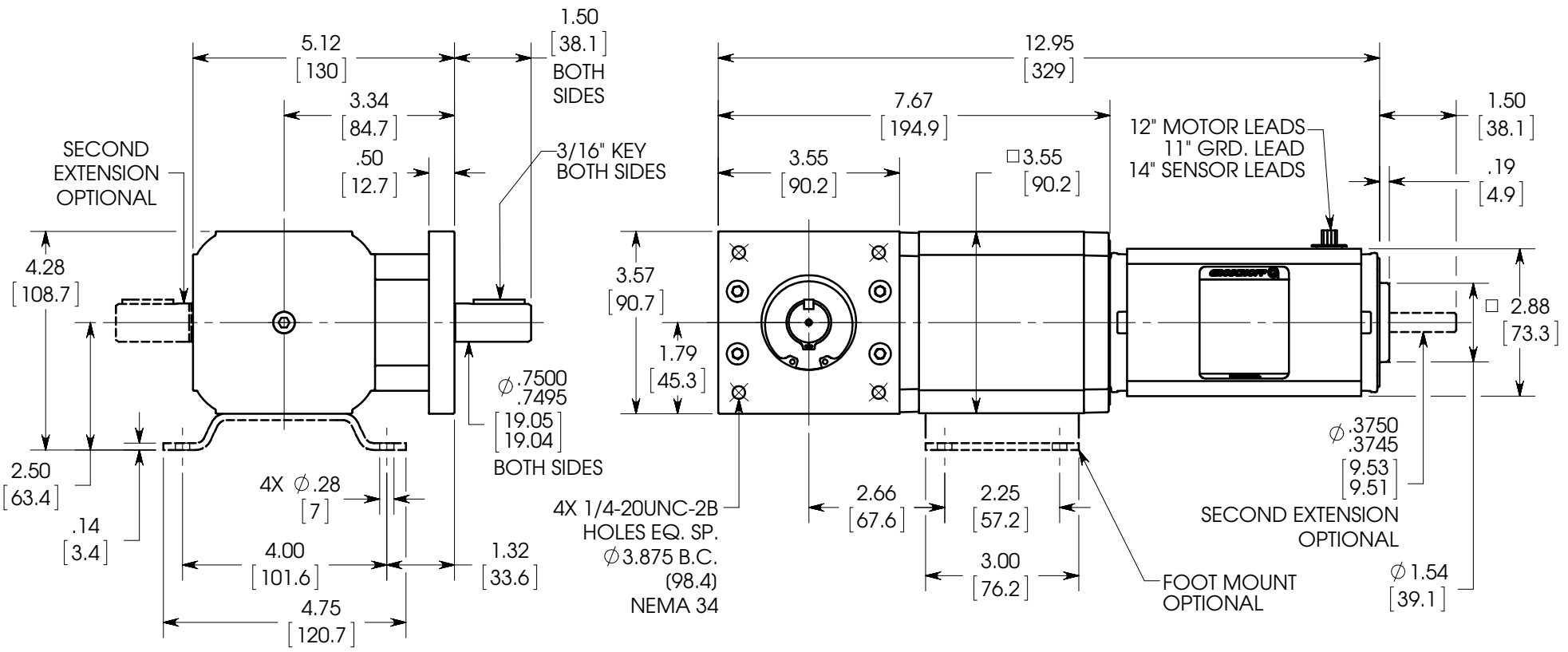
C

B

B


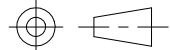
A

A



NOTES:

1. ALL DIMENSIONS ARE NOMINAL.
2. (mm) = MILLIMETERS.

REVISION	1	 ELECTRIC MOTORS • REDUCERS • GEAR MOTORS • MOTOR SETS
CHECKED	BW	
DATE	1-15-13	
MODEL	BL6540-RP73_ _	
 THIRD ANGLE		TITLE: BL6540-RP73_ _ 5:1 - 61:1 RATIO CATALOG STANDARD
		SCALE: 1:3 DO NOT SCALE DRAWING SHEET 1 OF 1

5

4

3

2

1