

5

4

3

2

1

D

D

C

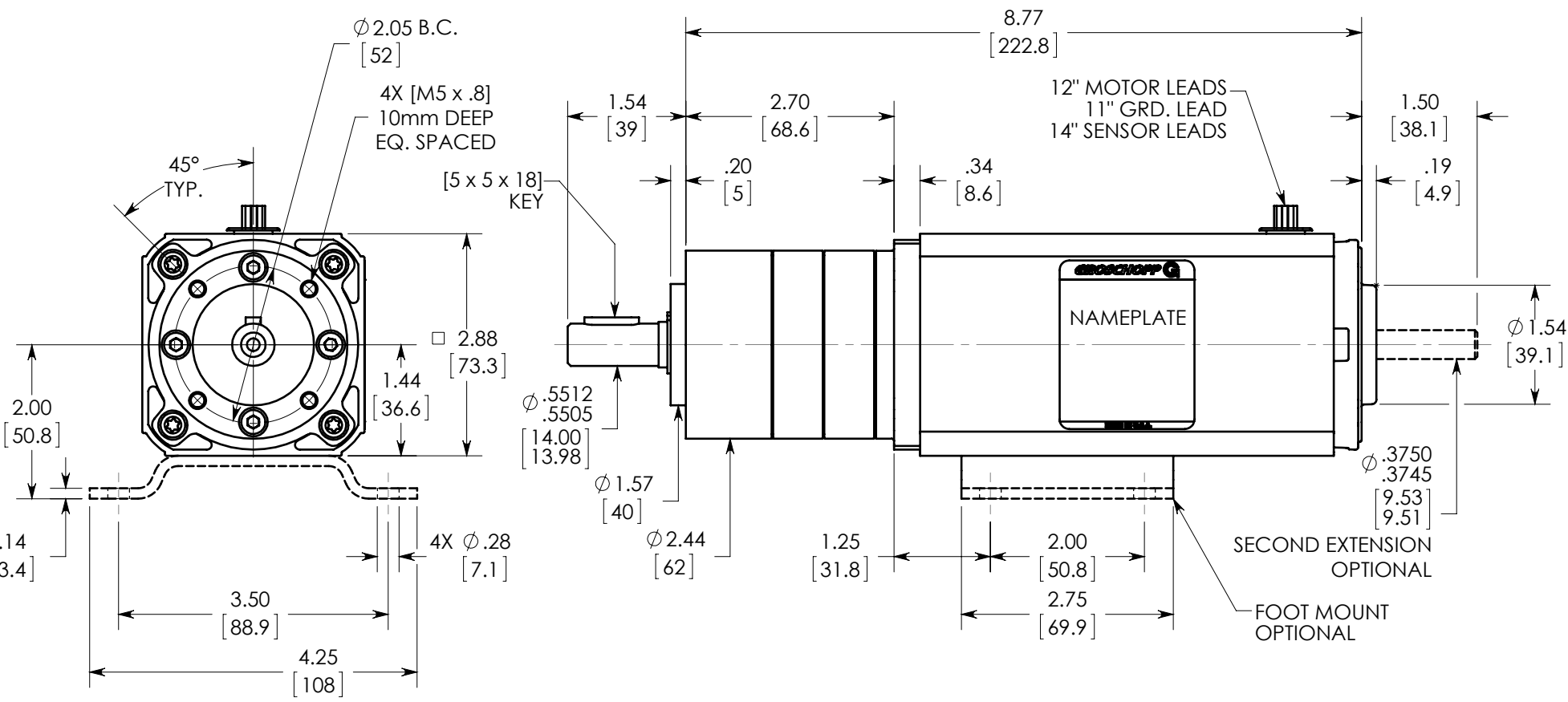
C

B

B


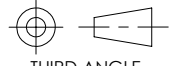
A

A



NOTES:

1. ALL DIMENSIONS ARE NOMINAL.
2. [mm] = MILLIMETERS.

REVISION	1	 ELECTRIC MOTORS • REDUCERS • GEAR MOTORS • MOTOR SETS
CHECKED	BW	
DATE	3-1-13	
MODEL	BL6560-PL62i	
 THIRD ANGLE		TITLE: BL6560-PL62_i 16:1 - 46:1 RATIOS CATALOG STANDARD
SCALE: 1:2		DO NOT SCALE DRAWING
		SHEET 1 OF 1