

5

4

3

2

1

D

D

C

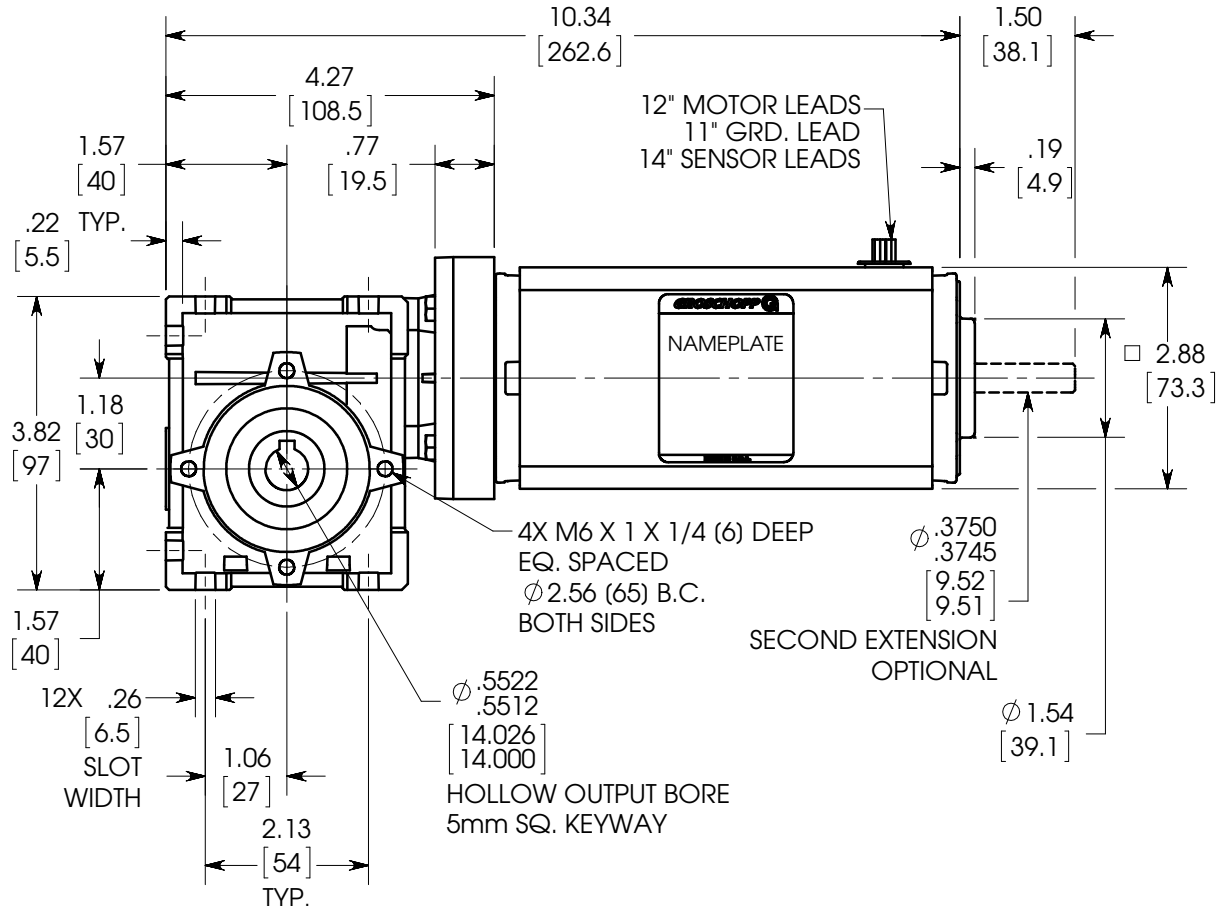
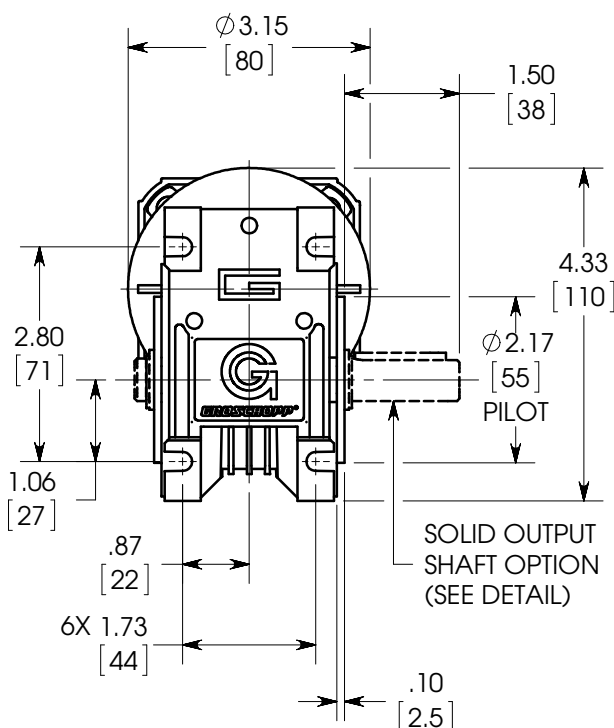
C

B

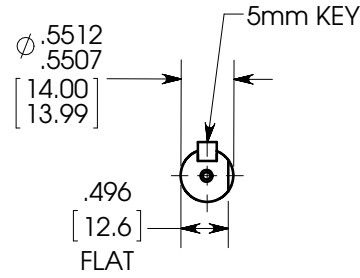
B

A

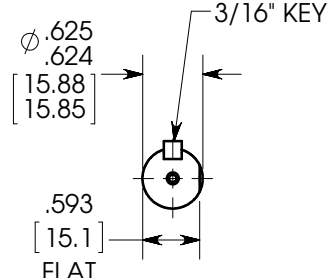
A



**IEC  
SOLID OUTPUT SHAFT OPTION  
DETAIL  
SCALE 1:2**


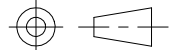


**NEMA  
SOLID OUTPUT SHAFT OPTION  
DETAIL  
SCALE 1:2**



**NOTES:**

- 1. ALL DIMENSIONS ARE NOMINAL.
- 2. (mm) = MILLIMETERS.

REVISION	1	 ELECTRIC MOTORS • REDUCERS • GEAR MOTORS • MOTOR SETS
CHECKED	BW	
DATE	1-25-13	
MODEL	BL6560-RA30_ _T	
 THIRD ANGLE		TITLE: <b>BL6560-RA30_ _T</b> CATALOG STANDARD
SCALE: 2:5		DO NOT SCALE DRAWING
		SHEET 1 OF 1