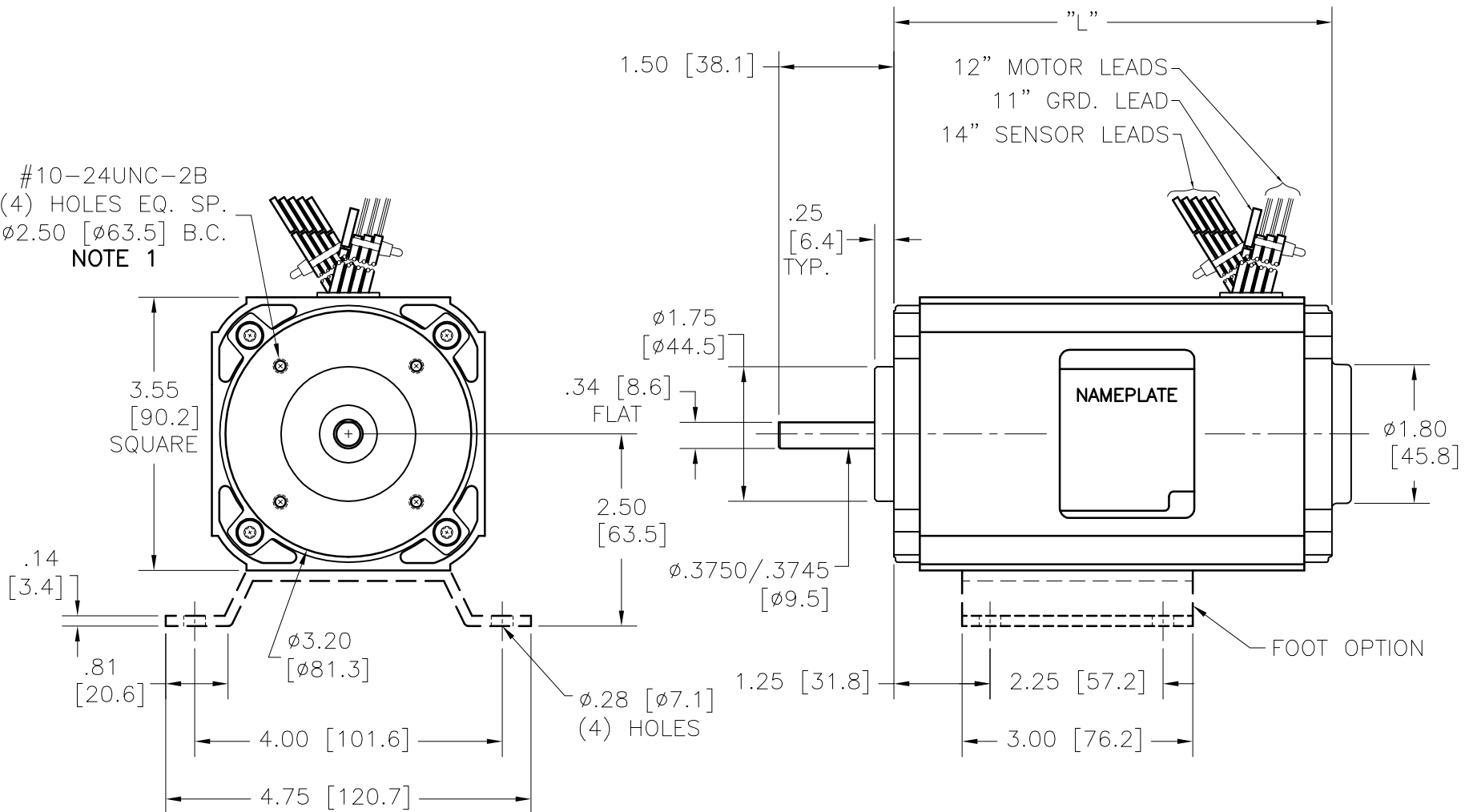


#10-24UNC-2B
 (4) HOLES EQ. SP.
 ø2.50 [ø63.5] B.C.
NOTE 1



NOTES:

1. BOLT DEPTH NOT TO EXCEED 7/16" FROM END BELL FACE.
2. ALL DIMENSIONS ARE NOMINAL.
3. [mm] = MILLIMETERS.

MODEL	"L"
BL8020	4.91 [125]
BL8040	5.69 [145]
BL8060	6.48 [165]

BL80__
 CATALOG STANDARD



REV: 5
 DATE: 4-6-09