

5

4

3

2

1

D

D

C

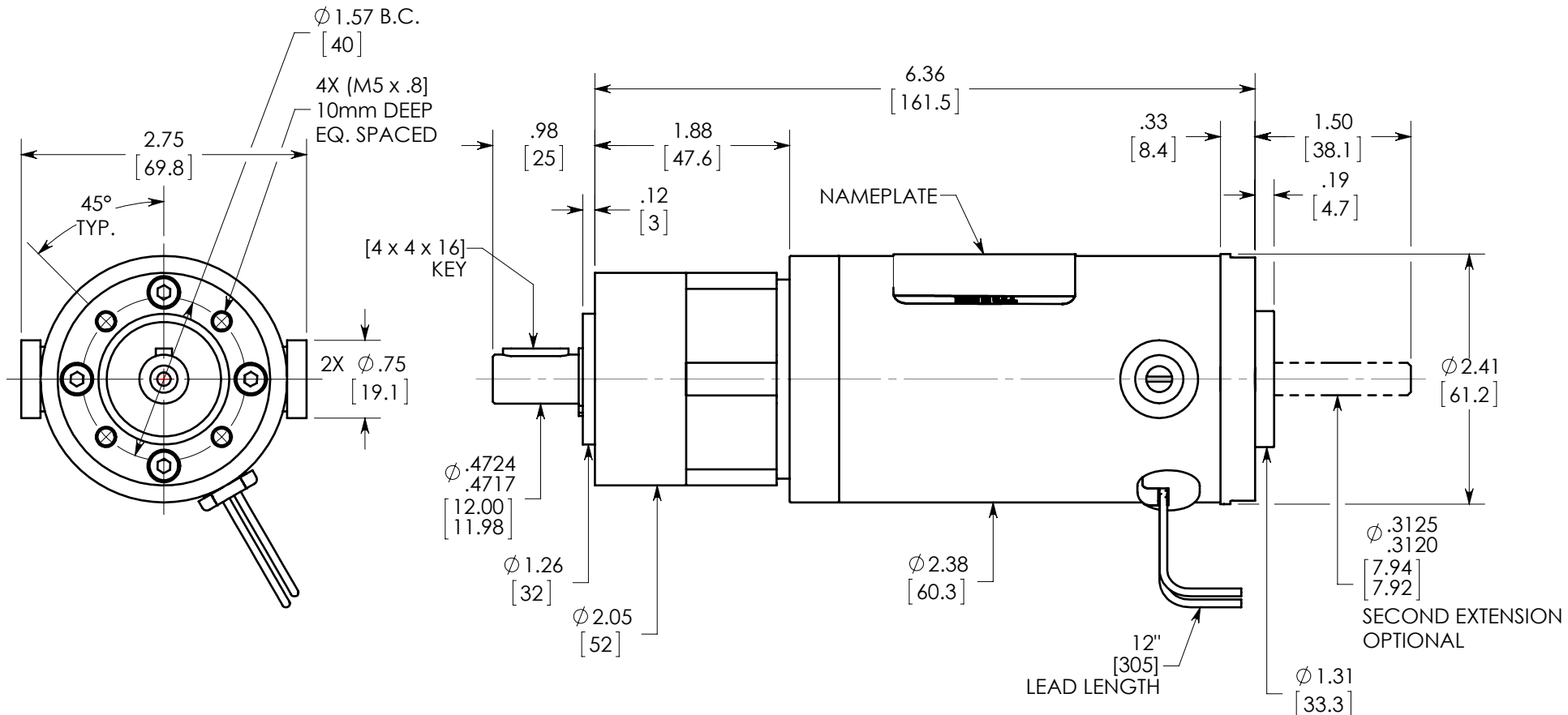
C

B

B

A

A



NOTES:

1. ALL DIMENSIONS ARE NOMINAL.
2. [mm] = MILLIMETERS.

REVISION	1
CHECKED	JO
DATE	4-30-13
MODEL	PM6013-PL52iP



TITLE: PM6013-PL52\_iP  
5:1 RATIO  
CATALOG STANDARD



THIRD ANGLE

SCALE: 2:3 DO NOT SCALE DRAWING SHEET 1 OF 1

5

4

3

2

1