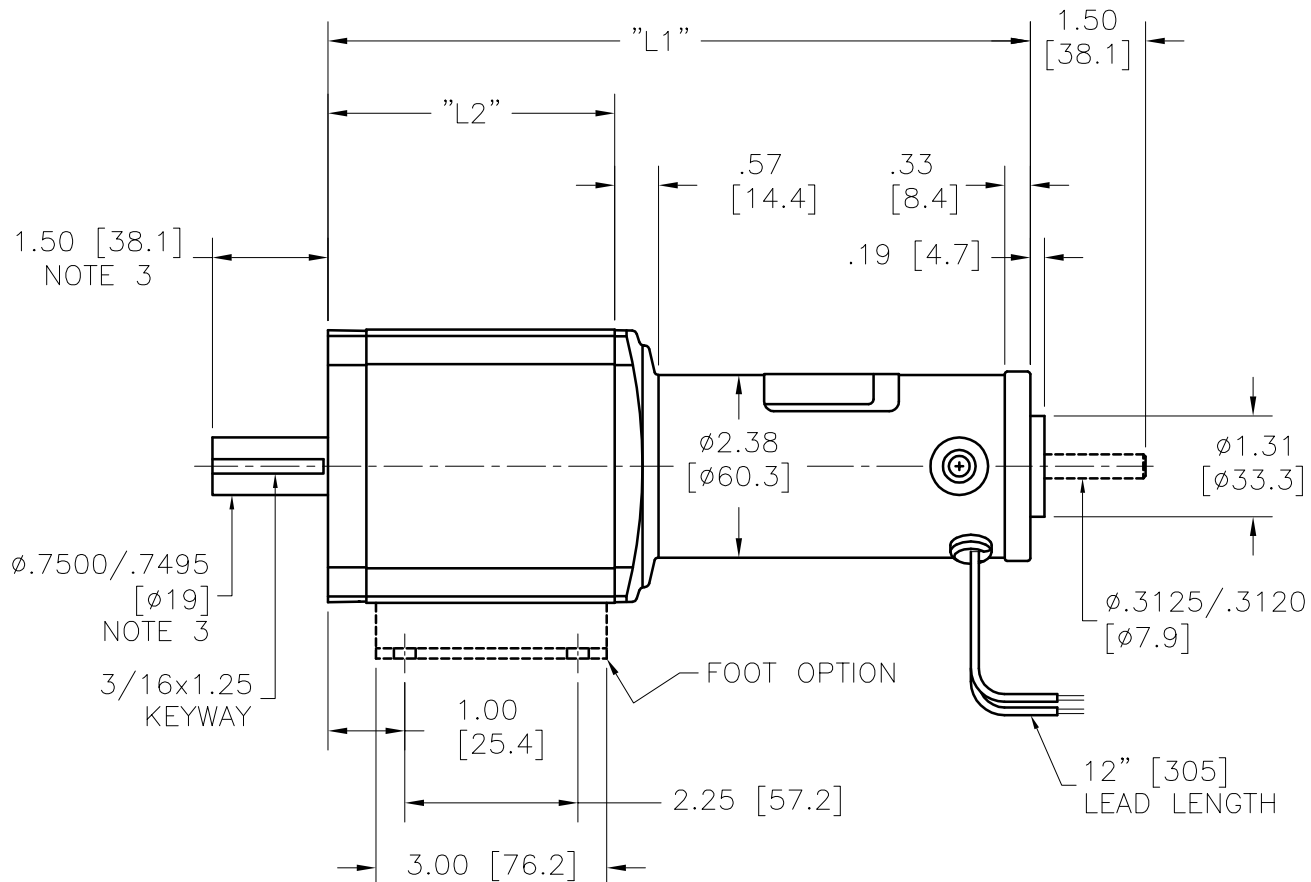
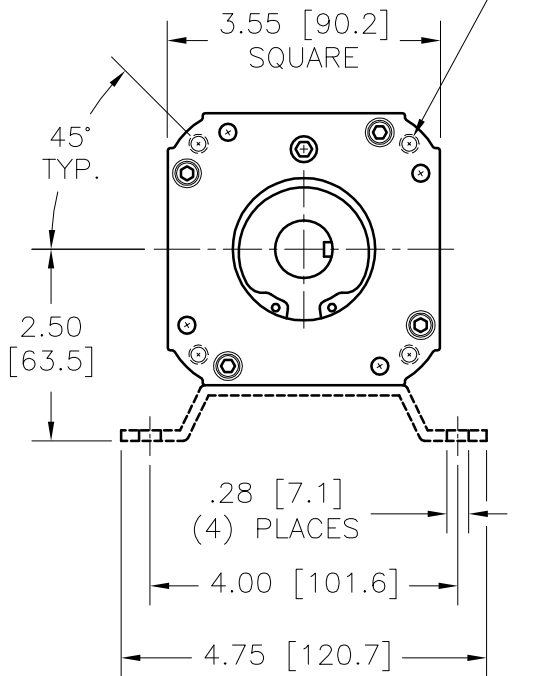


1/4-20UNCx.50
MAX. THD. DEPTH
(4) HOLES EQ. SP.
ø3.875 [98.4] B.C.
(NEMA 34)



ø.7500/.7495
[ø19]
NOTE 3

3/16x1.25
KEYWAY

FOOT OPTION

12" [305]
LEAD LENGTH

NOTES:

1. ALL DIMENSIONS ARE NOMINAL.
2. [mm] = MILLIMETERS.
3. ADDITIONAL STANDARD SHAFT SIZES AVAILABLE UP TO ø1¼" IN DIAMETER & 3" IN LENGTH.

MODEL	RATIO	"L1"	"L2"
PM6013-PL73__	5:1 - 61:1	8.30 [211]	3.73 [95]
	90:1 - 614:1	8.91 [226]	4.34 [110]
	1000:1	9.51 [241]	4.94 [125]
PM6015-PL73__	5:1 - 61:1	9.13 [232]	3.73 [95]
	90:1 - 614:1	9.74 [247]	4.34 [110]
	1000:1	10.34 [262]	4.94 [125]

PM601__-PL73__
CATALOG STANDARD



REV: 4
DATE: 12-2-13