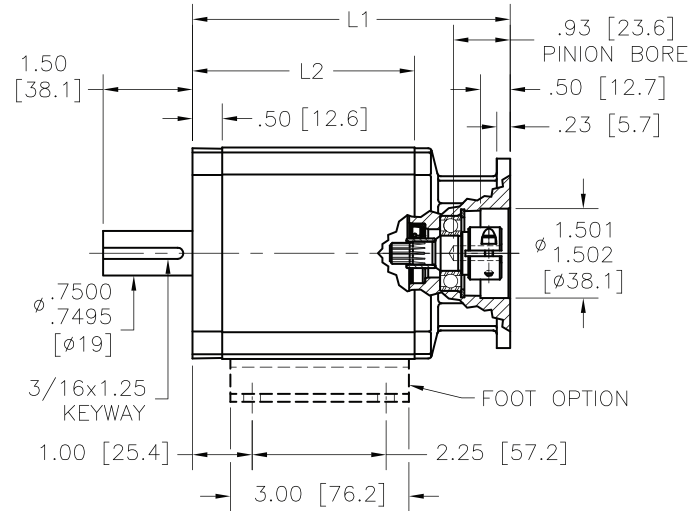
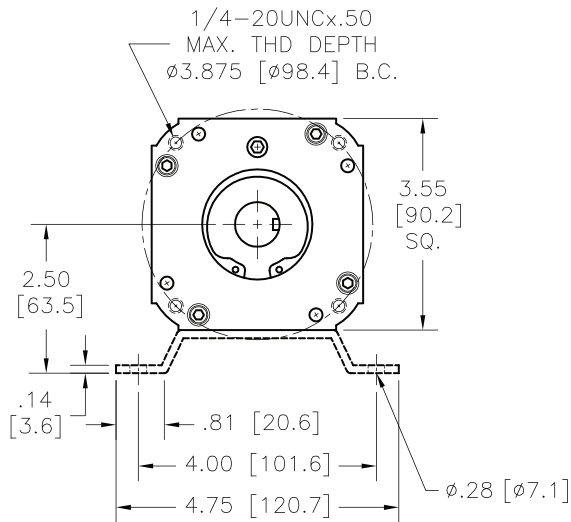


PLANETARY

frame size 73

This planetary gearbox line, the PL7305-PL731000, has 18 options to choose from with ratios ranging from 5:1 to 1000:1. Torque ranges, in addition, are from 250-950 lb-in for continuous and 3300-5800 lb-in for yield torque. Custom shafts are available.



Reducer	Input Speed* (RPM)	Ratio	Continuous Torque (lb-in)	Yield Torque (lb-in)
PL7305	3000	5:1	250	3300
PL7310	3000	10:1	275	5800
PL7315	3000	15:1	300	3300
PL7320	3000	20:1	325	3300
PL7330	3000	30:1	425	5800
PL7340	3000	40:1	450	5800
PL7361	3000	61:1	500	5800
PL7390	3000	90:1	525	5800
PL73100	3000	100:1	540	5800
PL73120	3000	120:1	550	5800
PL73160	3000	160:1	700	5800
PL73184	3000	184:1	725	5800
PL73245	3000	245:1	775	5800
PL73300	3000	300:1	800	5800
PL73377	3000	377:1	825	5800
PL73400	3000	400:1	850	5800
PL73614	3000	614:1	900	5800
PL731000	3000	1000:1	950	5800

NEMA 23 model shown
All dimensions are nominal
Measurements in inches [mm]

RATIO	L1 (in)	L2 (in)
5:1-61:1	5.34	3.73
90:1-614:1	5.95	4.34
1000:1	6.55	4.94

*Input speeds based on Groschopp's life tests, other speeds available