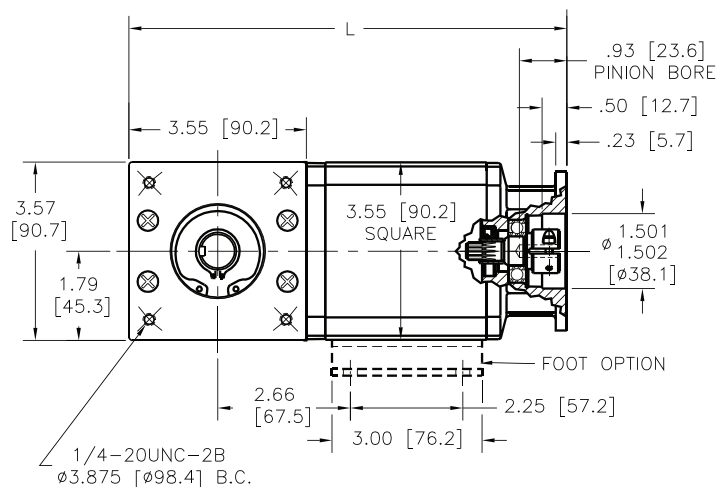
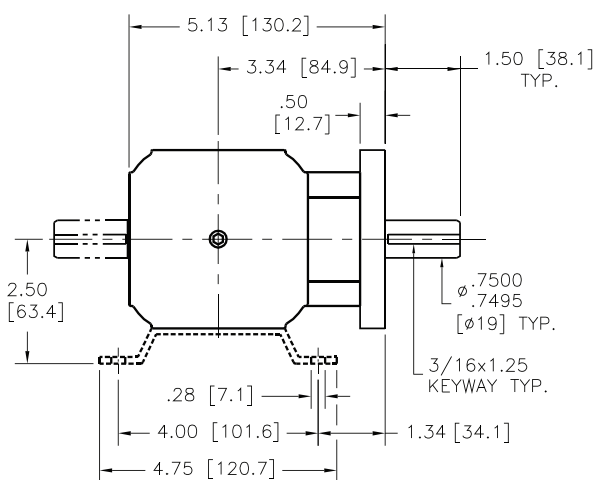


frame size 73

PLANETARY [right angle]

With 18 options, Groschopp's planetary right angle reducers run with an input speed of 1800 RPM and with ratios ranging from 5:1 to 1000:1, much like the standard planetary line. Achievable yield torque is either 3300 or 4600 lb-in, while continuous torque ranges from 236-885 lb-in.



Reducer	Input Speed* (RPM)	Ratio	Continuous Torque (lb-in)	Yield Torque (lb-in)
RP7305	1800	5:1	236	3300
RP7310	1800	10:1	260	4600
RP7315	1800	15:1	285	3300
RP7320	1800	20:1	308	3300
RP7330	1800	30:1	402	4600
RP7340	1800	40:1	425	4600
RP7361	1800	61:1	470	4600
RP7390	1800	90:1	492	4600
RP73100	1800	100:1	505	4600
RP73120	1800	120:1	514	4600
RP73160	1800	160:1	536	4600
RP73184	1800	184:1	560	4600
RP73245	1800	245:1	606	4600
RP73300	1800	300:1	750	4600
RP73377	1800	377:1	652	4600
RP73400	1800	400:1	795	4600
RP73614	1800	614:1	840	4600
RP731000	1800	1000:1	885	4600

NEMA 23 model shown
All dimensions are nominal
Measurements in inches [mm]

RATIO	L (in)
5:1-61:1	8.77
90:1-614:1	9.38
1000:1	9.98

*Input speeds based on Groschopp's life tests, other speeds available