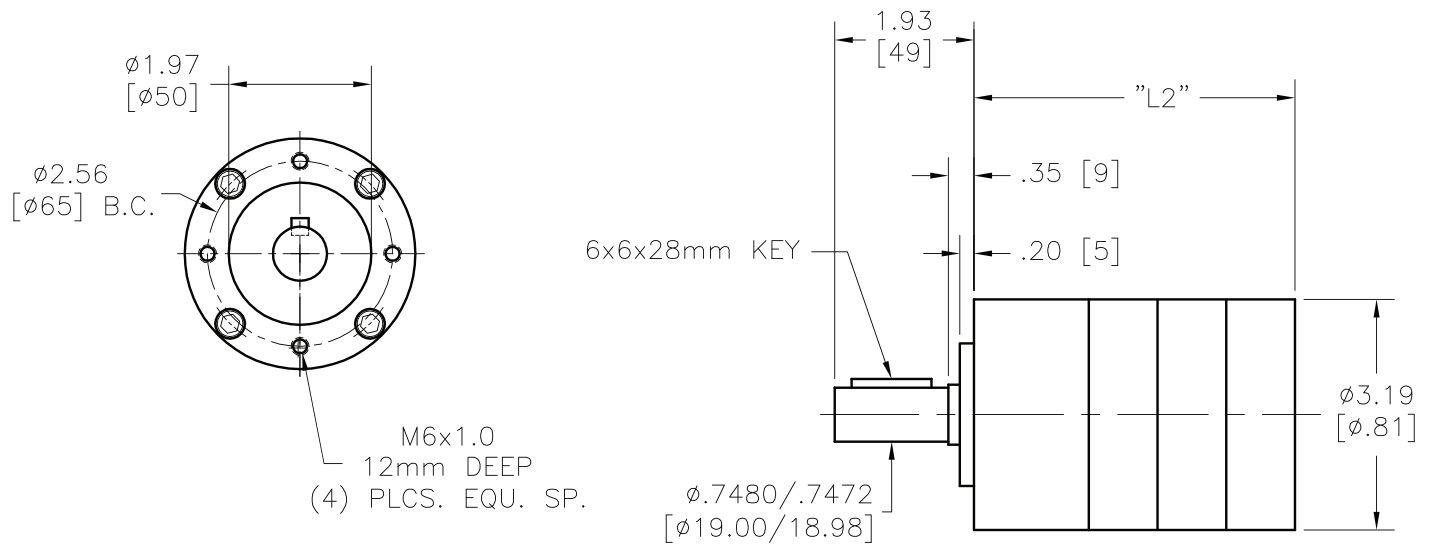


PLANETARY

[i-series]

frame size 81

The size 81 frame is offered as six different reducers—all are sold in conjunction with a Groschopp motor. Although they vary in ratios (93:1, 124:1, 150:1, 181:1, 236:1, 308:1), they have continuous and yield torques of 1062 and 5176 lb-in, respectively.



All dimensions are nominal
Measurements in inches [mm]

Reducer	Input Speed* (RPM)	Ratio	Continuous Torque (lb-in)	Yield Torque (lb-in)
PL8193i	3000	93:1	1062	5176
PL81124i	3000	124:1	1062	5176
PL81150i	3000	150:1	1062	5176
PL81181i	3000	181:1	1062	5176
PL81236i	3000	236:1	1062	5176
PL81308i	3000	308:1	1062	5176

STAGE	L (in)	L (mm)
3 stage	4.15	105

*Input speeds based on Groschopp's life tests, other speeds available