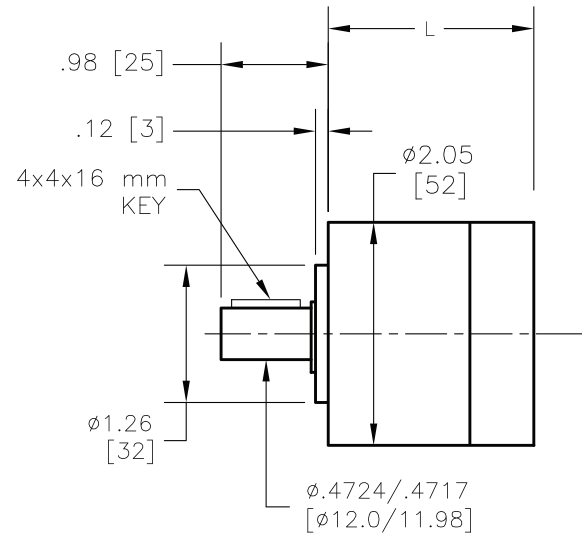
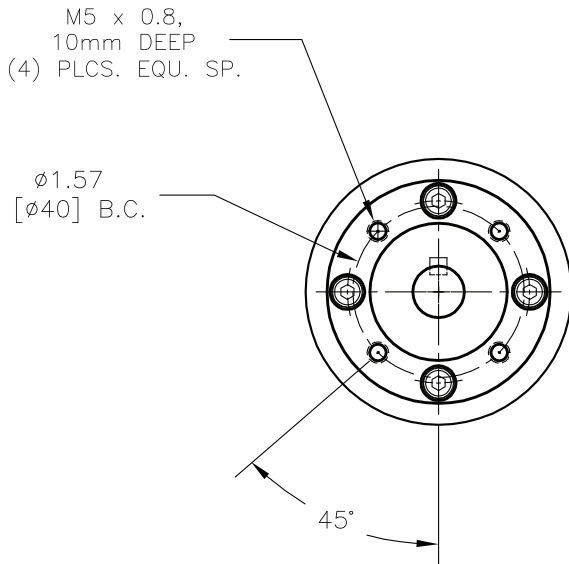


frame size 52

PLANETARY [i-series]

With an input speed of 3000 RPM, the planetary i-series 52 frame gearbox has 12 variations, which range in ratios from 5:1-308:1. Continuous and yield torque ranges are 35-221 lb-in and 1200 lb-in respectively. Plastic gearbox options are also available.



Reducer	Input Speed* (RPM)	Ratio	Continuous Torque (lb-in)	Yield Torque (lb-in)
PL5205i [P]	3000	5:1	35 [18]	1200 [140]
PL5216i [P]	3000	16:1	106 [44]	1200 [356]
PL5219i [P]	3000	19:1	106 [44]	1200 [356]
PL5229i [P]	3000	29:1	106 [44]	1200 [356]
PL5246i [P]	3000	46:1	106 [44]	1200 [356]
PL5259i [P]	3000	59:1	221 [86]	1200 [708]
PL5293i [P]	3000	93:1	221 [89]	1200 [708]
PL52124i [P]	3000	124:1	221 [89]	1200 [708]
PL52150i [P]	3000	150:1	221 [89]	1200 [708]
PL52181i [P]	3000	181:1	221 [89]	1200 [708]
PL52236i [P]	3000	236:1	221 [221]	1200 [1200]
PL52308i [P]	3000	308:1	221 [221]	1200 [1200]

All dimensions are nominal
Measurements in inches [mm]

STAGE	L (in)	L (mm)
1 stage	1.86	47.2
2 stage	2.42	61.2
3 stage	2.97	75.4

*Input speeds based on Groschopp's life tests, other speeds available
[Plastic gearbox options shown in brackets]