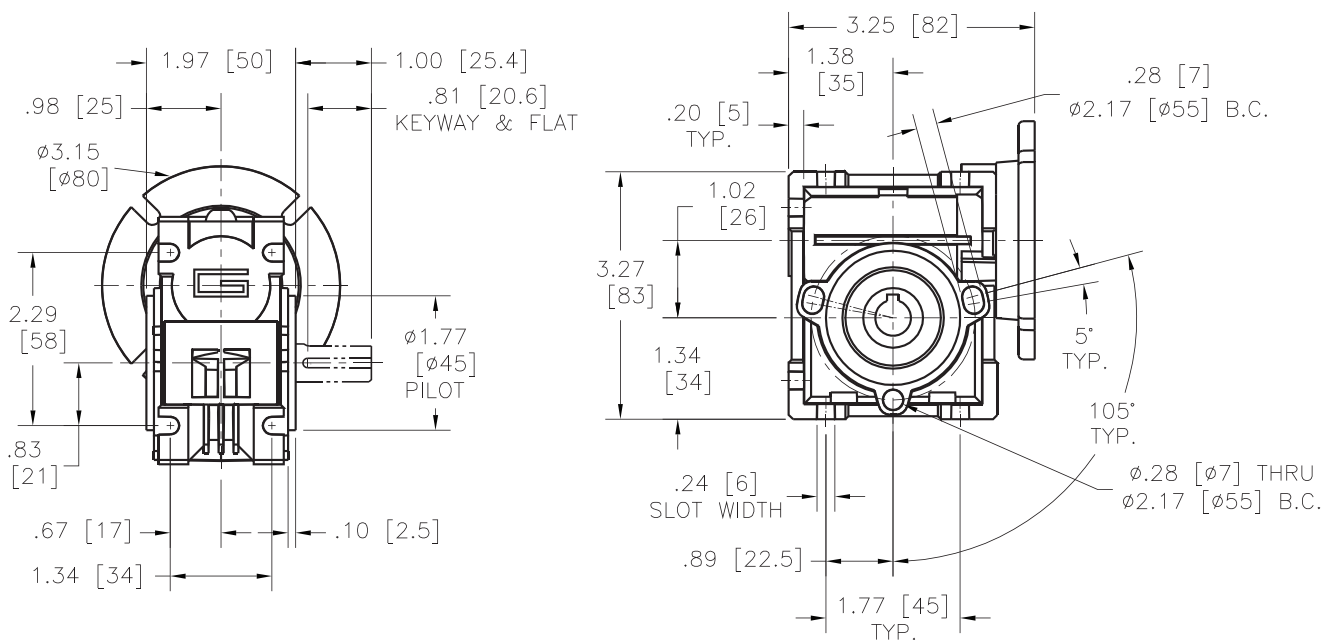


frame size 26

RIGHT ANGLE

With input speeds of 1800 RPM, based on Groschopp's life test, nine right angle reducers are available in the 26 frame size with ratios ranging from 5:1 to 60:1. In addition, these reducers produce continuous torque ranging between 23 lb-in and 140 lb-in.



Reducer	Input Speed* (RPM)	Ratio	Continuous Torque (lb-in)	Yield Torque (lb-in)
RA2605	1800	5:1	23	651
RA2607	1800	7.5:1	36	642
RA2610	1800	10:1	85	642
RA2615	1800	15:1	50	642
RA2620	1800	20:1	60	865
RA2630	1800	30:1	100	642
RA2640	1800	40:1	110	642
RA2650	1800	50:1	107	642
RA2660	1800	60:1	140	642

*Input speeds based on Groschopp's life tests, other speeds available

All dimensions are nominal
Measurements in inches [mm]

Shaft kits, torque arms,
output flanges, input flanges
and dust covers are
available upon request for
Groschopp's Right Angle
gearboxes.