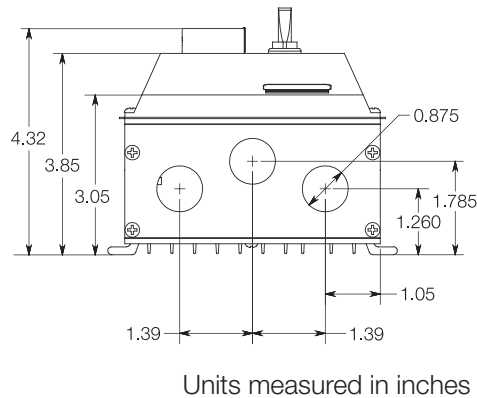
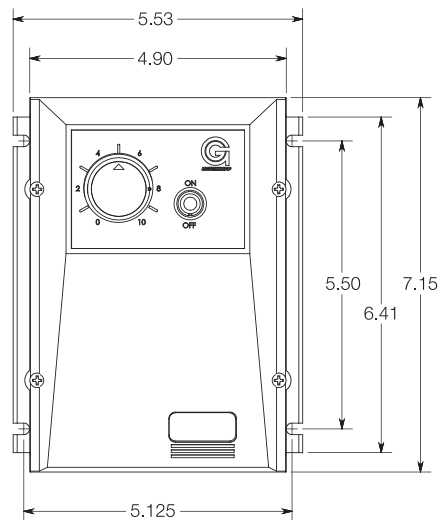


BRUSHLESS DC MOTOR CONTROL

GROSCHOPP MODEL NUMBER: DB1110D-4X

750-30-0003

Brushless DC motor control technology is ideal if you're looking for quiet motor operation, long life expectancy for both drive and motor and high efficiency operation with low power loss. This proven design is the first choice for tougher applications. This control is ideal when looking for high speed and quiet operation without the wear of brushes. It provides variable speed operations for larger brushless DC motors and is compact and energy efficient. When used for OEM applications, these controls have a fixed speed setting and may be provided with a pluggable connector.



Units measured in inches



POWER

Supply Voltage (V) – 12-48 VDC

Motor Voltage (V) – 12-48 VDC

Continuous Current (A) – 7.5

Peak Current (A) – 11.3

SPEED CONTROL

Closed Loop – Yes

Speed Potentiometer – Yes

DC Signal – 0-5V

Digital Control – No

Closed-loop speed control

Quiet 15 kHz PWM switching

MOSFET power devices

Forward/reverse control

Features: acceleration, deceleration, brake, inhibit

Anodized chassis mount heatsink

Internal supply for motor

Hall-effect sensors

5k Ω speed pot kit

Simple to operate

Speed regulation: $\pm 0.5\%$ base speed

Speed range: 60:1

Length: 7.15 in.

Width: 5.53 in.

Height: 4.32 in.

Enclosure Type: NEMA 4X