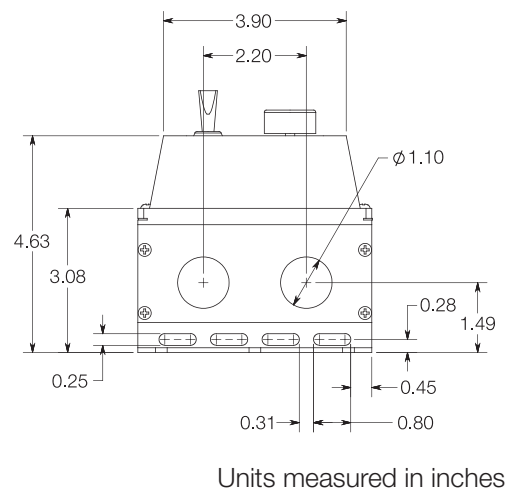
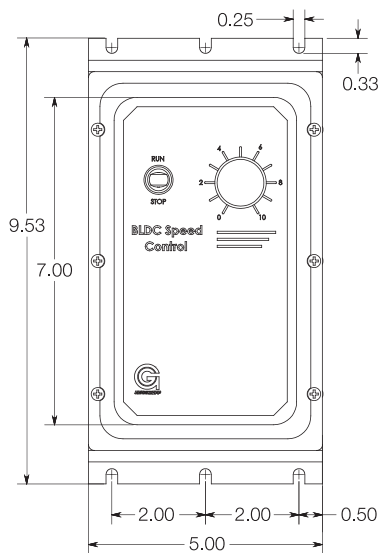


# BRUSHLESS DC MOTOR CONTROL

GROSCHOPP MODEL NUMBER: DB1120D-4X

# 750-30-0005

Brushless DC motor control technology is ideal if you're looking for quiet motor operation, long life expectancy for both drive and motor and high efficiency operation with low power loss. It's proven design is the first choice for tougher applications. This control provides variable speed operations for larger brushless DC motors and is compact and energy efficient. It is also able to produce speed commutation and control for motors with continuous ratings up to 1000 watts. This control is ideal when looking for high speed and quiet operation without the wear of brushes.



Units measured in inches



## POWER

Supply Voltage (V) – 12-48 VDC

Motor Voltage (V) – 12-48 VDC

Continuous Current (A) – 20.0

Peak Current (A) – 40.0

## SPEED CONTROL

Closed Loop – Yes

Speed Potentiometer – Yes

DC Signal – 0-6.25V

Digital Control – No

Closed-loop speed control

Quiet 15 kHz PWM switching

MOSFET power devices

Forward/reverse control

Low power inhibit circuit

Anodized chassis mount heatsink

Internal supply for motor

Hall-effect sensors

5k  $\Omega$  speed pot kit

Simple to operate

Speed regulation:  $\pm 0.5\%$  base speed

Speed range: 60:1

Length: 9.53 in.

Width: 5.00 in.

Height: 4.63 in.

Enclosure Type: NEMA 4X